

Beli Chan

Sales Manager

M: +86 139 2586 8276

WhatsApp: +86 139 2586 8276

E-mail: Beli@championbagmaker.com

MACHINERY MANUFACTURER OF **LUXURY PAPER BAGS**

CHAMPION MACHINERY MANUFACTURING CO.,LTD.

Add: 42#2and Longyan Industrial Avenue, Humen Town Dongguan City, China PR
Website: www.paper-bag-machine.com

CHAMPION
MACHINERY



Coffee Gong

Sales

M: +86 186 8118 5198

WhatsApp: +86 134 2327 5528

E-mail: sales8@championbagmaker.com

MACHINERY MANUFACTURER OF **LUXURY PAPER BAGS**

CHAMPION MACHINERY MANUFACTURING CO.,LTD.

Add: 42#2and Longyan Industrial Avenue, Humen Town Dongguan City, China PR
Website: www.paper-bag-machine.com

CHAMPION
MACHINERY



CMHM-100A

Paper Bag Angle Flat Paper Handle Making Machine

纸袋直角扁绳手腕机

目录

Contents

机器名称图片 Machine Name Image	3
产品尺寸 Products Size	3
机器说明 Machine Description	4
机器特点 Machine Features	4
主要技术参数 Technical Data	5
品质描述 Quality Description	5
主要零件清单 Main Parts List	5
设备占地规划 Machine Floor Plan	6

CMHM-100A

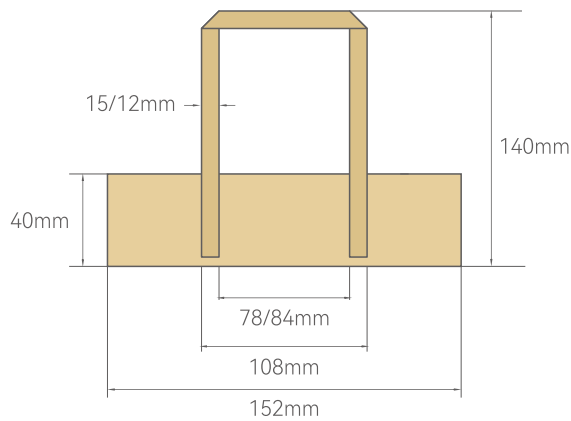
Paper Bag Angle Flat Paper Handle Making Machine

纸袋直角扁绳手腕机

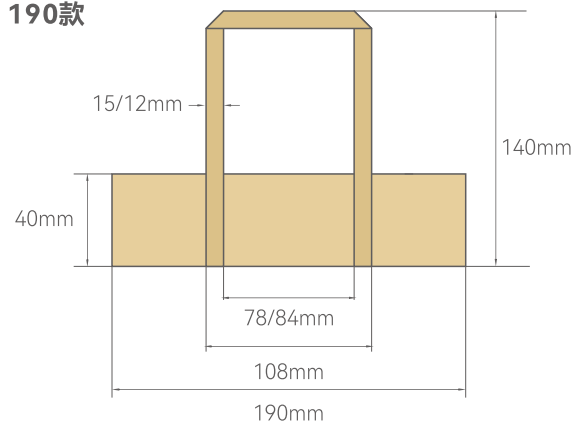


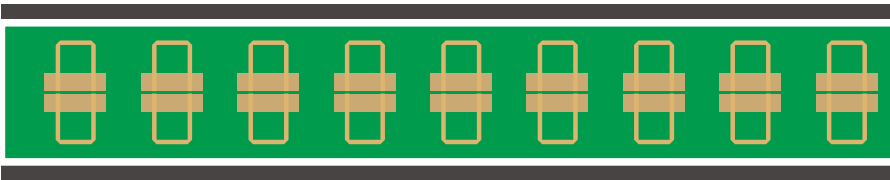
产品尺寸 Products Size

152款



190款





Option: 6m/10m Belt



机器说明 Machine Description

该机器是专门为支持环保纸袋的生产而设计的，它可以有效地生产扁绳手柄，并通过手动将其传递到袋子上。本机以4卷窄幅牛皮纸为原料，通过扁绳模具传动系统逐步成型，完成扁绳和扁柄的生产，形成扁柄。

This machine is specially designed to support the production of environmentally friendly paper bags. It can effectively produce flat rope handles and manually transfer them to the bag. This machine uses 4 rolls of narrow kraft paper as raw materials and gradually forms the flat rope and flat handle through the flat rope mold transmission system to complete the production of flat handles.



主要特点 Main Features

- 1、该机器操作简单，可稳定生产200-300件/分钟；
- 2、扁绳手柄一次成型，无需单独生产纸绳，大大降低了材料和人力成本；
- 3、该机器可配备自动喷胶机和流水线，取代了传统的手工涂胶方式，大大降低了人工和涂胶成本，加快了生产速度，可以帮助完成客户的大规模订单。

1. This machine is easy to operate can stably produce 200-300pcs/min;
2. The flat rope handle is fomed at one time, no need to produce the paper ropes separately, thus can greatly reducing the material and labor costs;
3. This machine can be equipped with automatic watering glue fundion and assembly line, which replaces the traditional way of gluing the handles by manual, thus greately reducing labor and glue costs, speeding up the production speed, can help complete the customer's large-scale orders.



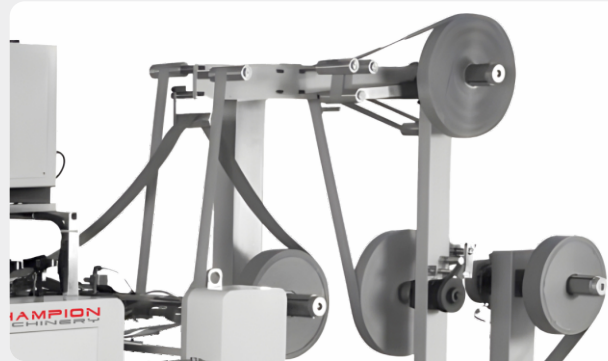
主要技术参数 TechnicalData

		152款	190款
纸绳距离(A)	Handle Spacing	108mm固定	108mm固定
纸绳宽度(B)	Paper Rope Width	12mm/15mm可选	12mm/15mm可选
纸绳高度(C)	Paper Rope Height	100mm	100mm
纸片宽度(D)	Paper Width	40mm	40mm
纸片长度(E)	Paper Length	152mm	190mm
纸绳高度	Paper Rope Height	100mm	100mm
原纸克重	Paper Gram Weight	100-120g/m	100-120g/m
生产速度	Production Speed	6000pairs/h	6000pairs/h
输入电源	Power Requirements	380V,50HZ,3Phases,4wires	380V,50HZ,3Phases,4wires
机器功率	Total Power	10KW	10KW
机器重量	Total weight	Apr.4000kg	Apr.4000kg
外形尺寸	Overall Dimension	L5000*W1500*H1500mm	L5000*W1500*H1500mm
粘接剂	Glue Type	热熔胶Hot-melt glue	热熔胶Hot-melt glue



品质描述 Quality Description

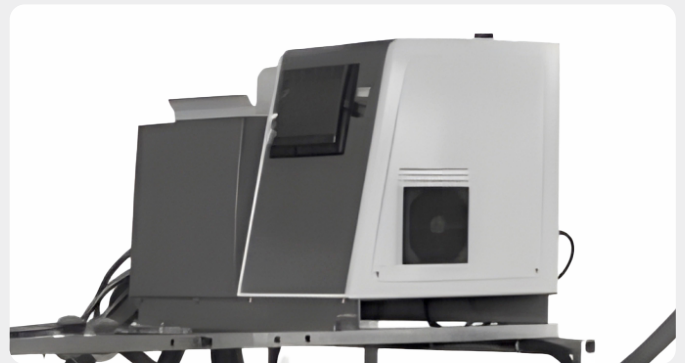
1. 4个放卷单元
4 Unwinding Unit



2. 高品质热熔胶系统，降低熔胶成本，
减少次品。
High-quality Hot Melt System Can
Reduce The Melt Cost And Defective



3. 中国制造顶级热熔胶系统，经久耐用。
Top Brand Hot Melt System Made In
China, Durable And Long Service Life



主要零件清单 Main Parts List

名称	Name	原装/品牌	Original / brand
热熔胶	Hot Melt-glue	XBS (中国)	XBS (China)
规格	Specifications	四管 / 四喷嘴	Four Pipes / Four Nozzles
变频器	Inverter	KOWO 中国	Kowo China
主电机	Main motor	Longban	Longban
切刀电机	Cutter motor	三相电机	Three Phase Motor



设备占地规划 Machine Floor Plan

