

Beli Chan

Sales Manager

M: +86 139 2586 8276

WhatsApp: +86 139 2586 8276

E-mail: Beli@championbagmaker.com

MACHINERY MANUFACTURER OF **LUXURY PAPER BAGS**

CHAMPION MACHINERY MANUFACTURING CO.,LTD.

Add: 42#2and Longyan Industrial Avenue, Humen Town Dongguan City, China PR
Website: www.paper-bag-machine.com

CHAMPION
MACHINERY



Coffee Gong

Sales

M: +86 186 8118 5198

WhatsApp: +86 134 2327 5528

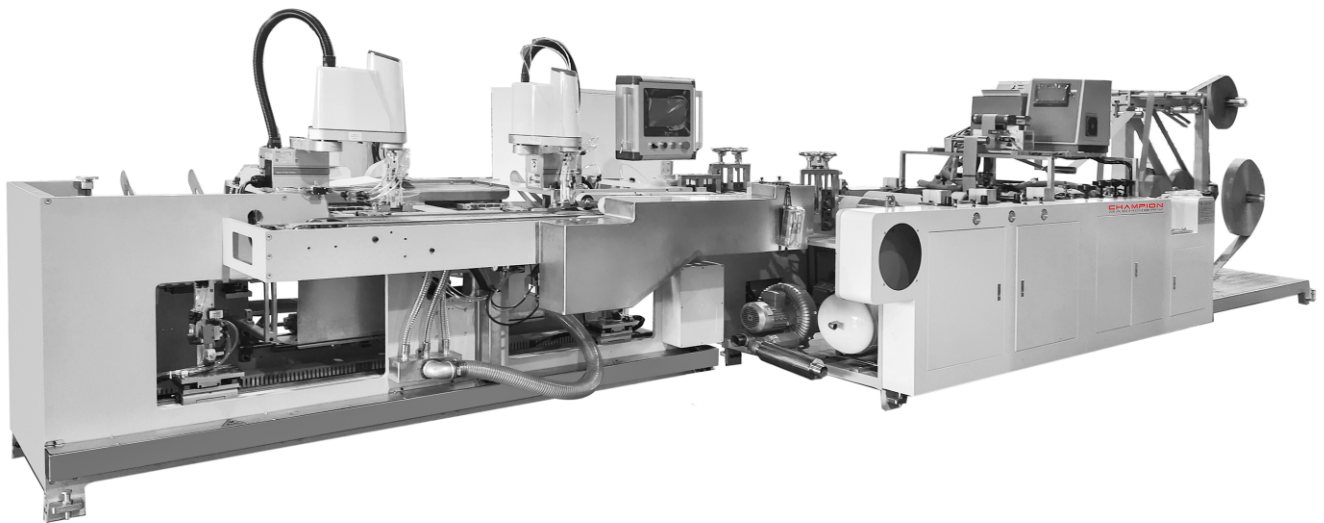
E-mail: sales8@championbagmaker.com

MACHINERY MANUFACTURER OF **LUXURY PAPER BAGS**

CHAMPION MACHINERY MANUFACTURING CO.,LTD.

Add: 42#2and Longyan Industrial Avenue, Humen Town Dongguan City, China PR
Website: www.paper-bag-machine.com

CHAMPION
MACHINERY



CMPS-350A

Paper Bag Angle Flat Paper Handle Pasting Inline With
Handle Making Machine-Double Robotic

纸袋扁绳自动贴手腕机——双机器人

目录

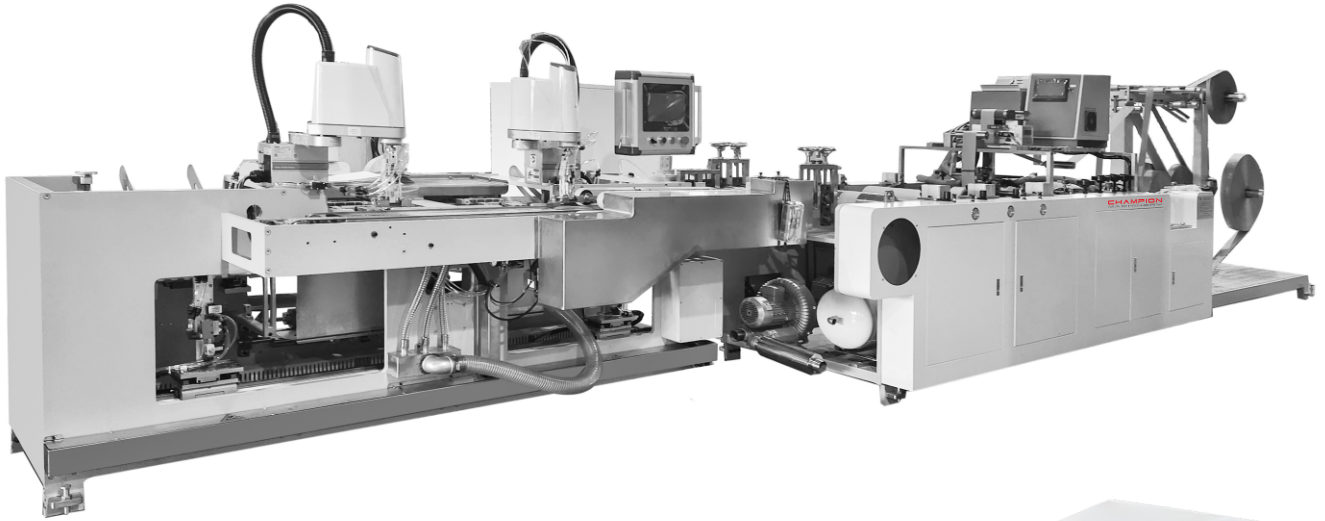
Contents

机器名称图片 Machine Name Image	3
工艺流程图 Process Flowchart	3
机器说明 Machine Description	4
机器特点 Machine Features	4
主要技术参数 Technical Data	5
设备占地规划 Machine Floor Plan	5

CMPS-350A

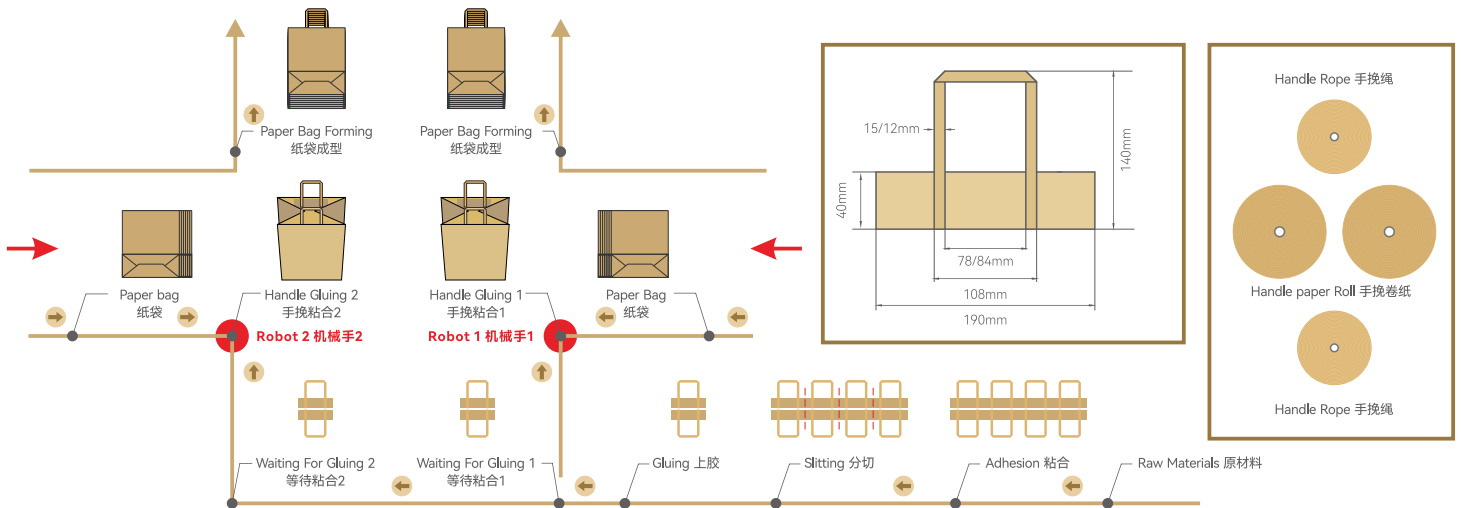
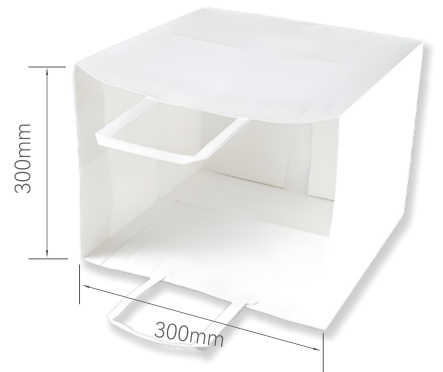
Paper Bag Angle Flat Paper Handle Pasting Inline
With Handle Making Machine-Double Robotic

纸袋扁绳自动贴手腕机——双机器人



40 pcs
One minute 1分钟

Large size accordion
paper bag
大尺寸风琴纸袋



Double Robotics (Customized) 双机器人 (定制)



機器說明 Machine Description

这款双机械手圆绳贴把机配合半自动纸袋机使用，生产手挽跟粘合于一体。是我们单机械手贴把机的升级版，可以贴更小尺寸的纸袋，袋宽180-400mm，填补了全自动纸袋机不能生产小于200宽纸袋的空白。是您解决人工贴纸袋的不二选择。

该机器也有自动计数和自动上胶的功能，能极大地提高用户后续加工作业的效率。速度稳定，可达40个/分钟。

This 2 robot arm applicator designed to work with semi-automatic paper bag making machines, can produce flat rope handle with pasting inline. Its an upgraded model of 1 robot arm handle pasting machine, it works for smaller bag width sizes ranging from 180mm-400mm, thus filling the gap that the automatic paper bag machine can't produce bag width below 200mm. If you want to replace your labor by robot, this machine is your second to non choice.

The machine also has automatic counting and gluing functions, which can greatly improve the efficiency of the user's subsequent processing operations. The speed is stable and can reach 40 pieces per minute.



机器特点 Machine Features

生产速度: 40个/分钟（视扁绳材质与纸袋尺寸调整），支持连续化产线集成。

定位精度: 采用光学传感与伺服驱动系统，贴装位置误差 $\leq \pm 0.5\text{mm}$ ，避免手挽歪斜或脱胶。

速干胶粘合技术: 搭载台湾或德国进口胶黏系统，喷胶量可编程控制，确保扁绳与纸袋瞬间粘合且无溢胶。

自适应调节机构: 设备内置机械式间隙消除模块，兼容袋宽180-400mm、扁绳宽度12mm的规格。

人机交互界面: 配备触摸屏+PLC控制系统，集成参数预设、生产计数、故障自检（如缺绳/断胶报警）功能。

节能设计: 待机状态下自动降功耗，支持7×24小时连续运行。

模块化架构: 核心部件（送绳模块、胶枪、压合辊）采用快拆设计，维护便捷。

重型机身: 整机重量约2500kg，搭配进口线性导轨，抑制高速振动，延长使用寿命。

Production Speed: 40 pieces/minute (adjustable depending on the rope material and paper bag size), supporting continuous production line integration.

Positioning Accuracy: Utilizing an optical sensor and servo drive system, placement accuracy is $\leq \pm 0.5\text{mm}$, preventing misalignment or debonding.

Quick-drying Glue Bonding Technology: Equipped with an adhesive system imported from Taiwan or Germany, the adhesive spray volume is programmable, ensuring instant, overflow-free bonding of the rope and paper bag.

Adaptive Adjustment Mechanism: The machine features a built-in mechanical gap elimination module, compatible with bag widths of 180-400mm and rope widths of 12mm.

Human-Machine Interface: Equipped with a touchscreen + PLC control system, it integrates parameter presets, production counters, and fault self-diagnosis (such as rope shortage/glue breakage alarms).

Energy-saving Design: Automatically reduces power consumption in standby mode, supporting 24/7 operation.

Modular Architecture: Core components (rope feed module, glue gun, and lamination roller) feature quick-release design for easy maintenance. Heavy-duty body: The whole machine weighs about 2500kg and is equipped with imported linear guide rails to suppress high-speed vibration and extend service life.



主要技术参数 TechnicalData

外形尺寸	Overall Dimension	L7800*W3500*H1800mm
电机品牌	Motor Brand	ZHENGMING geared motor
机器功率	Total Power	380V, 23KW, 50HZ
伺服电机品牌	Servo Motor Brand	INOVANCE
伺服电机功率	Servo Motor Power	400W two group
PIC编程品牌	Pic Programming Brand	INOVANCE
热熔胶机品牌	Hot Melt Machine Brand	XBS
机械手	Mechanical Arm	DELTA Taiwan
纠偏	Correct An Error	KCON
纸绳距离	Handle Spacing	108mm
纸片长度	Paper Length	152mm
纸绳宽度	Paper Rope Width	12mm
纸片宽度	Paper Width	40mm
纸绳高度	Paper Rope Height	100mm
纸袋厚度	Paper Thickness	90-130g
纸袋宽度	Bag Width	180-400mm
纸袋高度	Bag Height	180-400mm
纸袋侧宽	Bag Side Width	80-200mm
袋高-底高	Bag Height - Gusset	≥ 25mm
生产速度	Production Speed	37-43pcs/min



设备占地规划 Machine Floor Plan

