

Beli Chan

Sales Manager

M: +86 139 2586 8276

WhatsApp: +86 139 2586 8276

E-mail: Beli@championbagmaker.com

MACHINERY MANUFACTURER OF LUXURY PAPER BAGS

CHAMPION MACHINERY MANUFACTURING CO.,LTD.

Add: 42#2and Longyan Industrial Avenue, Humen Town Dongguan City, China PR
Website: www.paper-bag-machine.com

CHAMPION
MACHINERY



Coffee Gong

Sales

M: +86 186 8118 5198

WhatsApp: +86 134 2327 5528

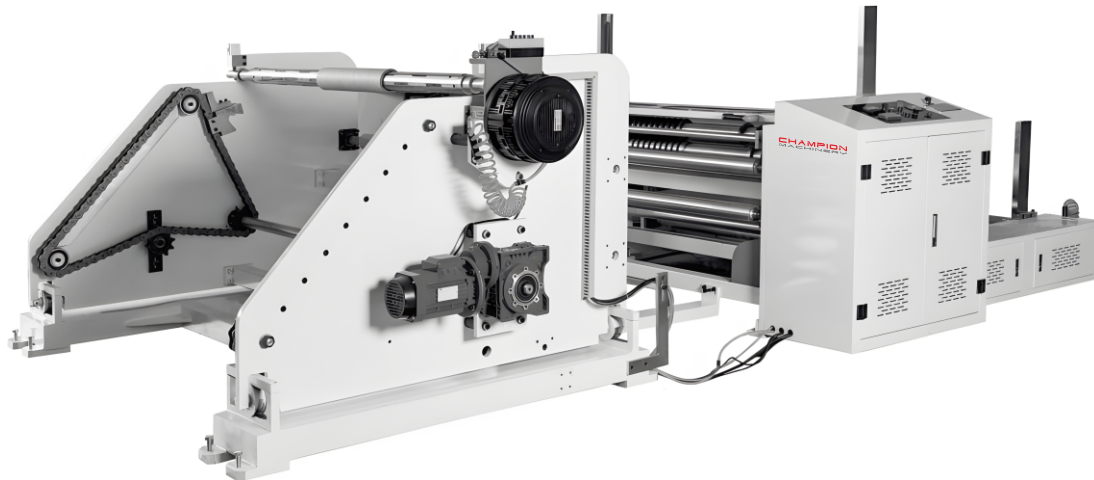
E-mail: sales8@championbagmaker.com

MACHINERY MANUFACTURER OF LUXURY PAPER BAGS

CHAMPION MACHINERY MANUFACTURING CO.,LTD.

Add: 42#2and Longyan Industrial Avenue, Humen Town Dongguan City, China PR
Website: www.paper-bag-machine.com

CHAMPION
MACHINERY



CMSL-1300/1600

Auto Paper Slitting Machine

分切机

目录

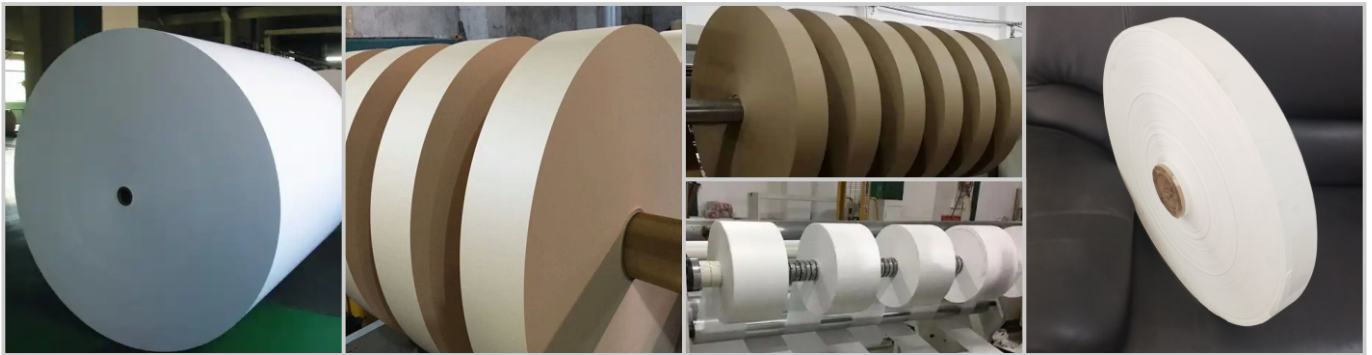
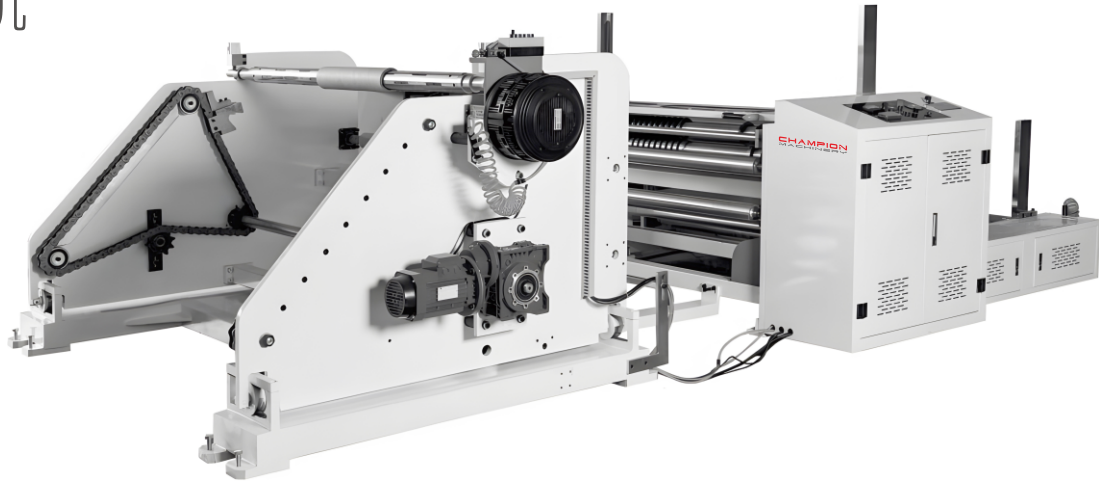
Contents

机器名称图片 Machine Name Image	3
机器说明 Machine Features	3
主要技术参数 Technical Data	3
设备占地规划 Machine Floor Plan	4

CMSL-1300/1600

Auto Paper Slitting Machine

分切机



機器說明 Machine Description

该机器主要为印刷机、纸手挽机、纸绳机和纸袋机提供不同宽度的纸卷。它以卷筒纸为原料，快速纵向切割，制成不同宽度的纸卷。该机器操作简便，采用气动涨紧装置控制，并配备自动纠偏功能（选配），是纸制品加工的必备设备。机器随机配备20个刀片供您选择使用。

This machine mainly provides different width of paper reel to the printing machine, paper handle, paper rope and paper bag machine. It uses web as raw material, quickly cuts the web lengthwise to make different widths of paper reel. This machine is easy to operate, controlled by the air loaded tension device with automatic deviation correction (optional), it's an essential equipment of paper product process, 20 pcs blades will be sent with machine for your option use.



主要技术参数 Technical Data

机器型号	Machine Model	CMSL-1300 / CMSL-1600
最大料卷宽度	Max. Material reel Width	1200mm / 1500mm
最大料卷直径	Max. Material reel Diameter	φ1200mm
最小分切宽度	Min. Slitting width	30mm
最大成品卷直径	Max. Product reel Diameter	φ1000mm
最高分切速度	Max. Slitting Speed	150m/min

机器型号	Machine Model	CMSL-1300 / CMSL-1600
原纸克重	Paper Thickness	20-160g/m
机器功率	Total Power	7.5KW / 10KW
机器重量	Total Weight	Approx. 3000kg / Approx. 2500kg
外形尺寸	Overall Dimension	L4800*W2850*H1600mm / L4700*W2420*H1400mm
张力控制器	Tension Controller	自动 Automatic



设备占地规划 Machine Floor Plan

