

## Beli Chan

Sales Manager

M: +86 139 2586 8276

WhatsApp: +86 139 2586 8276

E-mail: Beli@championbagmaker.com

MACHINERY MANUFACTURER OF **LUXURY PAPER BAGS**

CHAMPION MACHINERY MANUFACTURING CO.,LTD.

Add: 42#2and Longyan Industrial Avenue, Humen Town Dongguan City, China PR

Website: www.paper-bag-machine.com

**CHAMPION**  
MACHINERY



## Coffee Gong

Sales

M: +86 186 8118 5198

WhatsApp: +86 134 2327 5528

E-mail: sales8@championbagmaker.com

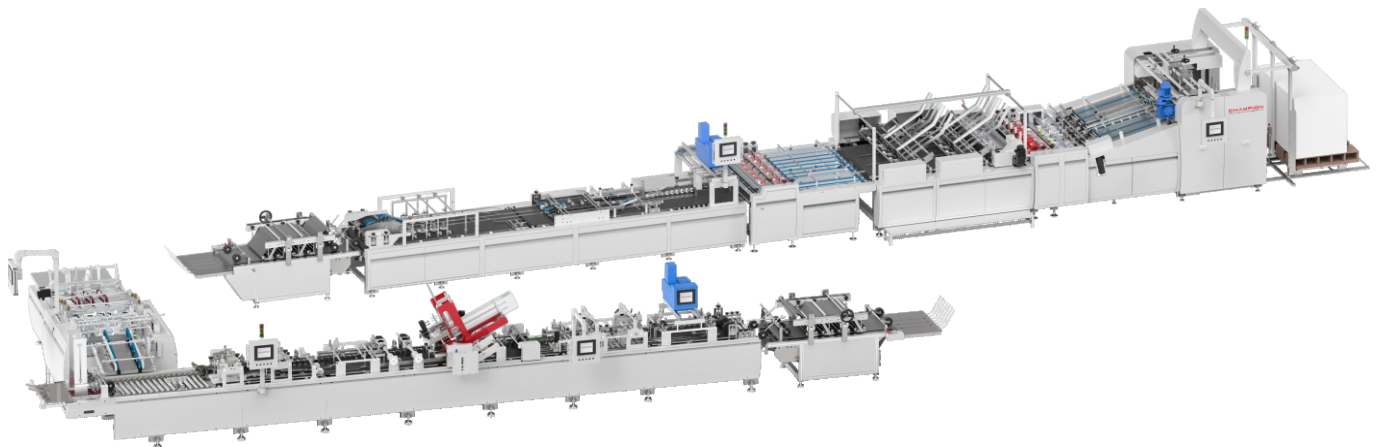
MACHINERY MANUFACTURER OF **LUXURY PAPER BAGS**

CHAMPION MACHINERY MANUFACTURING CO.,LTD.

Add: 42#2and Longyan Industrial Avenue, Humen Town Dongguan City, China PR

Website: www.paper-bag-machine.com

**CHAMPION**  
MACHINERY



## **CMTF-1200ATC/1400ATC** **CMBF-520A + CMBS-1000RS**

Automatic Sheet-Fed Paper Bag Tube Forming Machine With Auto 4 PCS  
Top Cardboard & Bottom Cardboard Production Line (Group A + B)

单张纸袋自动头卡底卡生产线组合 A + B

## 目录

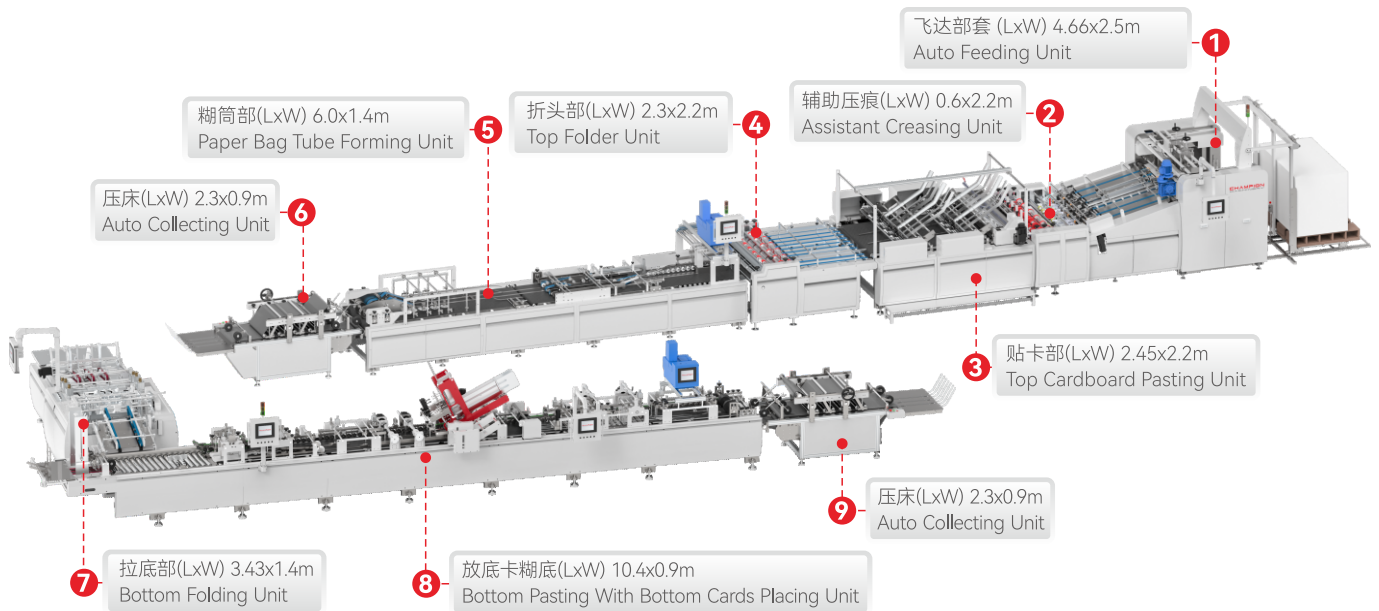
### Contents

机器名称图片 Machine Name Image	3
工艺流程图 Process Flowchart	3
机器说明 Machine Description	4
机器特点 Machine Features	4
参数示意图 Sheet Paper Data	5
主要技术参数 Technical Data	6
设备占地规划 Machine Floor Plan	6
核心配件 Core Accessories	7

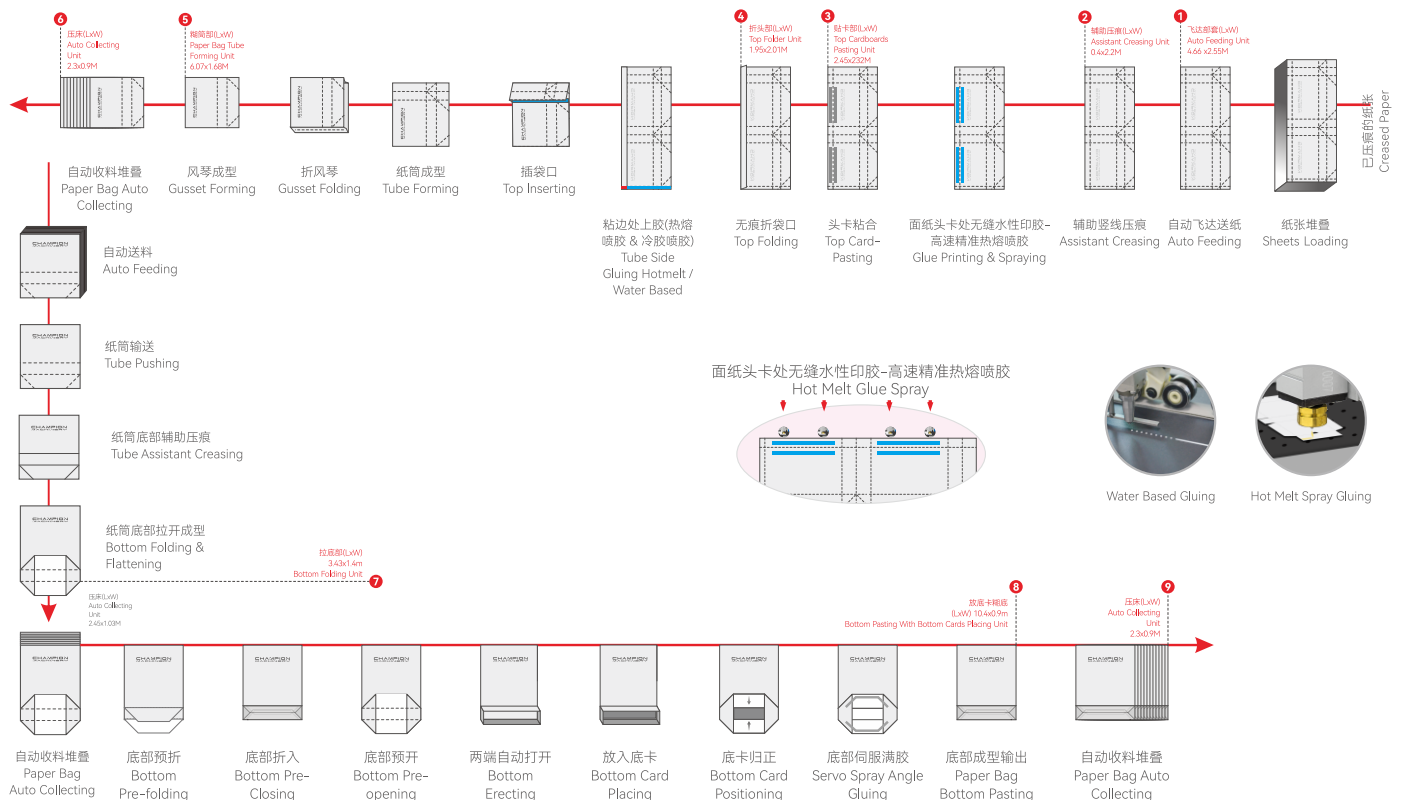
# CMTF-1200ATC/1400ATC CMBF-520A + CMBS-1000RS

Automatic Sheet-Fed Paper Bag Tube Forming Machine With Auto 4 PCS Top Cardboard & Bottom Cardboard Production Line (Group A + B)

单张纸袋自动头卡底卡生产线组合 A + B



## 工艺流程图 Process Flowchart





## 机器说明 Machine Description

该设备采用A+B两条半自动模组线组合的自动单张纸袋机，是一款集灵活、高效与高度自动化于一体的纸袋生产设备，专为满足双拼纸袋各种工艺生产需求而设计。该设备凭借其广泛的应用领域，如奢侈品、服装、礼品及购物纸袋等，展现了强大的市场适应性。

通过采用双拼成型技术，高速、高精度生产工艺以及智能化控制系统，实现降低成本、提升效率和优化质量。其模块化设计理念使得设备能够灵活应对不同生产需求，同时环保特性也符合当前绿色生产的趋势，成为传统纸袋生产设备升级换代的首选方案。

This automatic sheet-fed paper bag machine, combining two semi-automatic modular lines (A+B), combines flexibility, efficiency, and a high degree of automation. Designed to meet the diverse production requirements of double-stitch paper bags, this machine demonstrates strong market adaptability through its wide range of applications, including luxury goods, apparel, gifts, and shopping paper bags.

By utilizing sheet-fed forming technology, high-speed, high-precision production processes, and an intelligent control system, the machine reduces costs, improves efficiency, and optimizes quality. Its modular design allows for flexible adaptation to diverse production needs. Its environmentally friendly features align with current trends in green production, making it a leading upgrade option for traditional paper bag production equipment.

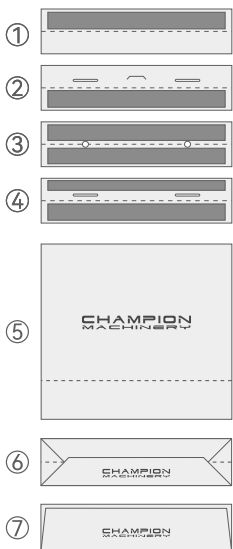
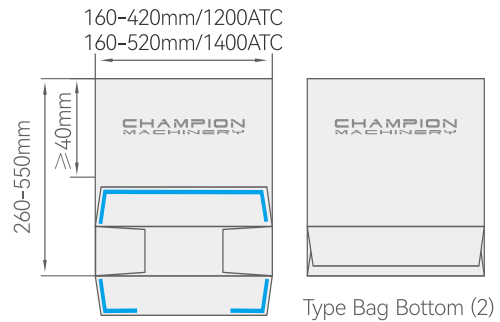
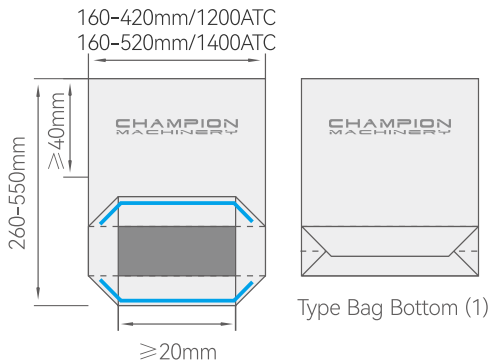
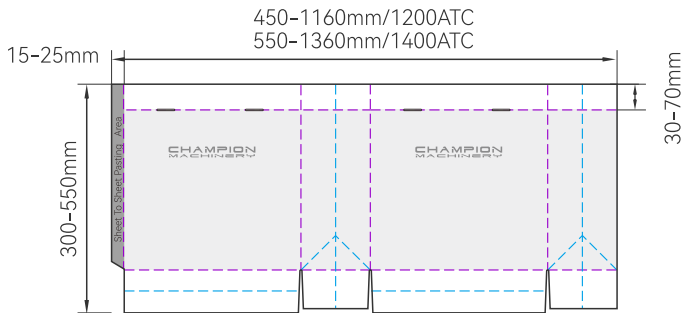
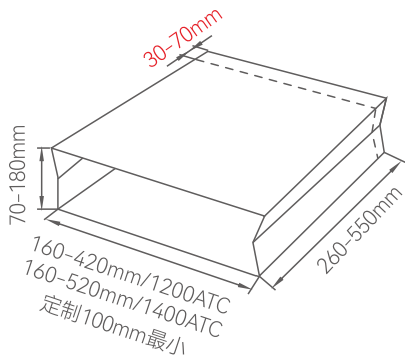
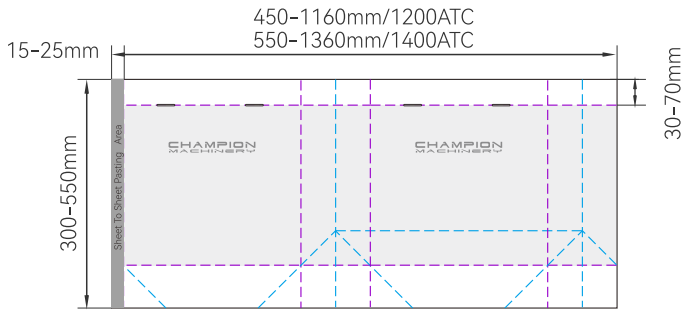
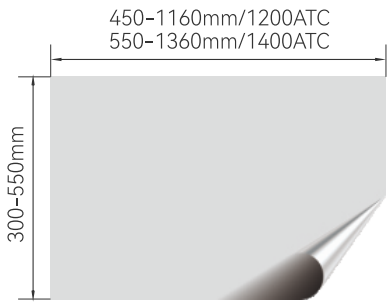


## 机器特点 Machine Features

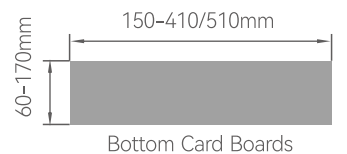
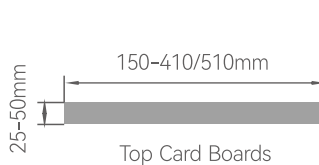
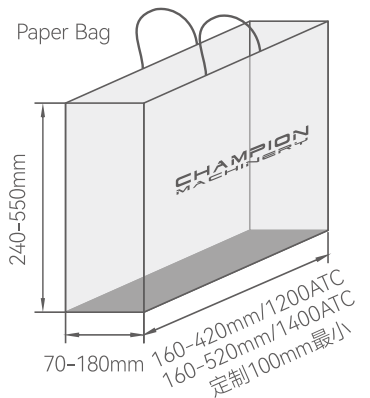
1. 该生产线生产效率高，调整方便，适用范围广。适用于小、中、大批量或定制化纸袋生产，也适用于对工艺、精度、外观和质量要求较高的高端双拼纸袋，以及结构复杂的单张送料纸袋的生产；
  2. 该生产线的解决方案在一个工位生产纸袋，具有头卡糊合、折头、贴底卡、袋成型和底部全涂胶等功能。
  3. 高精度、高产量、对操作员经验要求低和低损耗是 CHAMPION 机械设备的显著特点。
  4. 根据您的工厂规划，我们提供不同的生产线布局，例如U型、L型或直线（I型）。生产线的功能组合或分离，能应用部分或全部工作。
  5. 专门设计的头卡防滑系统，采用热熔胶上胶，确保头卡即时粘在纸张上。同时，卓越的专利水性胶印刷和贴卡系统设计，使顶卡固定精度高且持久耐用。
  6. 防卡纸系统设计并配备，可防止生产过程中发生卡纸或连续卡纸。
  7. 专利技术，包括防止不停机的不良输出功能，可确保您减少生产损耗和不良停机。目前设计了不良输出、不上胶或自动停机功能，可防止双层送纸、纸张倾斜、顶卡缺失、半边纸缺失、底部加固缺失或放置错误以及制袋卡纸等。
  8. 全新人机界面设计和编程，确保您稳定运行生产，快速更换尺寸，让您对投资充满信心。
1. It is widely applicable due to high productivity and easy adjustment. It can be applied to the production of small, medium and large or customized paper bags in small, medium or large quantities, and to production of high-end two-sheet paper bags with high requirements for technology, precision, appearance and quality, and sheet-feeding paper bags with complex structures;
  2. The solution of this line manufactures the paper bag in 1 station, with functions of top card pasting, top folding, bottom reinforcement placing, bag forming and gluing in full pattern of the bottom shape.
  3. High precision, high production, Low requirement in operators' experience and low wastage, are well-known features of machines from Champion Machinery.
  4. In reference of your work plant plan, we supply different Line layouts, like U shape, L shape, or straight (I) Line. Functions or separations of the line, are supposed to work partially or fully
  5. Specifically designed top cards anti-slippery system, applies hot-melt gluing, to ensure the top cards instant stick to the paper. Meanwhile, remarkable patented design of water-based glue printing and card pasting system makes the top cards fixing in high precision and long lasting.
  6. Anti-jamming system is designed and equipped, to protect production against jamming or continuous jamming.
  7. Patented technology, including NG output against non-stop production, ensures you decrease the wastage of your production, and NG production stop. NG output or non-gluing or auto stop is currently designed against double layer sheets feeding, sheets tilting, top card missing, half side sheet missing, missing or wrongly placed bottom reinforcement, and jamming of bag running ...
  8. Fresh operator friendly design and programming, ensure you run production stably, fast in size changing, and confident in investing in your business.



参数示意图 Sheet Paper Data



- 1、纸板高于折叠线的位置  
Position above top folding line
- 2、纸板位于折叠线以下  
Position below top folding line
- 3、顶部粘贴4张相同尺寸的纸板  
Top cardboard pasting 4 pcs same size
- 4、顶部粘贴4张不同尺寸的纸板  
Top cardboard pasting 4 pcs different size
- 5、纸袋  
Paper bag body
- 6、纸袋底型 (1)  
Paper bag bottom type
- 7、纸袋底型 (2)  
Paper bag bottom type
- 8、风琴  
Paper Bag Organ







核心配件 Core Accessories



**SynMatic**

运动控制系统  
伺服电机/伺服驱动/变频器  
SIMOTION  
Servo motor/servo drive/frequency converter

安驰 中国  
SynMatic China



**KEYENCE**

总线控制  
BUS CONTROL

基恩士 日本  
Keyence Nippon



**Honeywell**

编码器/接近开关  
热过载继电器接触器  
ENCODER/PROXIMITY SWITCH  
Thermal overload relay contactor

霍尼韦尔 美国  
Honeywell US



**KEYENCE**

主光电眼/光纤  
MAIN OPTICAL EYE/FIBER

基恩士 日本  
Keyence Nippon



触摸屏  
TOUCH SCREEN

威伦 台湾  
WEINVIEW Taiwan



**MAC**

电磁阀  
SOLENOID VALVE

MAC 美国  
MAC US



**CPG**

减速机马达  
REDUCER MOTOR

晟邦 台湾  
Shengbang CPG Taiwan



**SIEMENS**

主马达  
MAIN MOTOR

西门子贝德 德国  
Siemens Bader Germany



**ORION**

真空泵  
VACUUM PUMP

好利旺 日本  
ORION Japan