

## Beli Chan

Sales Manager

M: +86 139 2586 8276

WhatsApp: +86 139 2586 8276

E-mail: Beli@championbagmaker.com

MACHINERY MANUFACTURER OF **LUXURY PAPER BAGS**

CHAMPION MACHINERY MANUFACTURING CO.,LTD.

Add: 42#2and Longyan Industrial Avenue, Humen Town Dongguan City, China PR  
Website: www.paper-bag-machine.com

**CHAMPION**  
MACHINERY



## Coffee Gong

Sales

M: +86 186 8118 5198

WhatsApp: +86 134 2327 5528

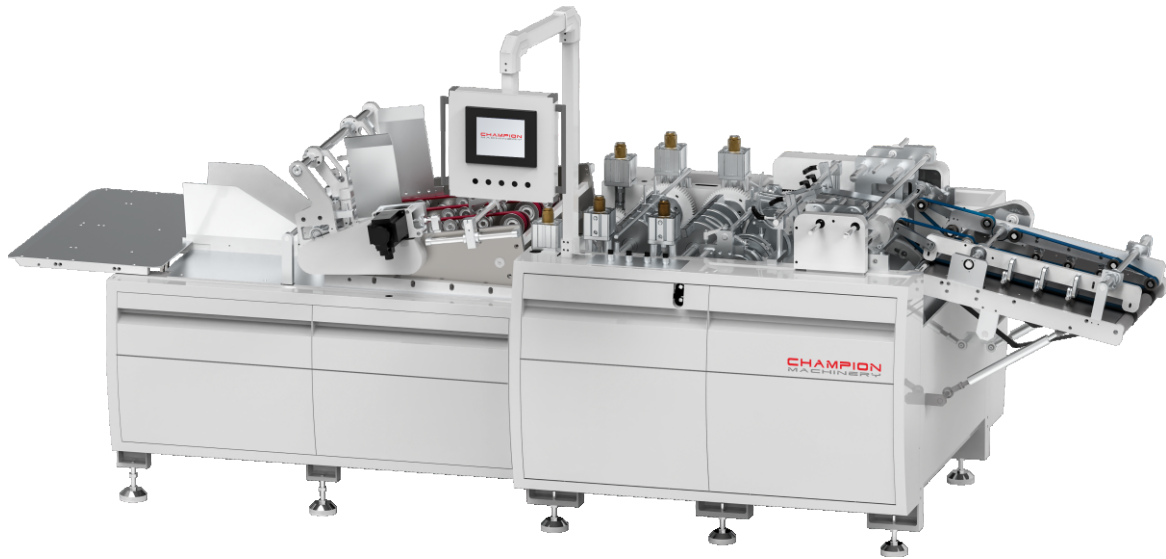
E-mail: sales8@championbagmaker.com

MACHINERY MANUFACTURER OF **LUXURY PAPER BAGS**

CHAMPION MACHINERY MANUFACTURING CO.,LTD.

Add: 42#2and Longyan Industrial Avenue, Humen Town Dongguan City, China PR  
Website: www.paper-bag-machine.com

**CHAMPION**  
MACHINERY



## CMBF-420A/520A/600A

Paper Bag Bottom Folding Machine

纸袋拉底机

## 目录

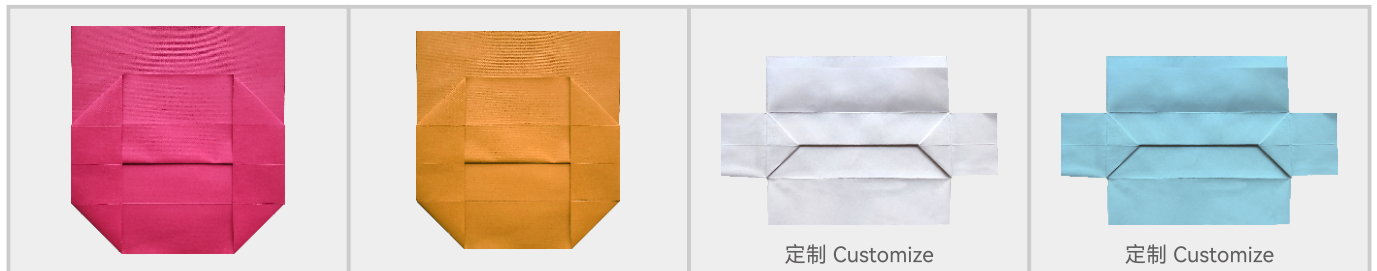
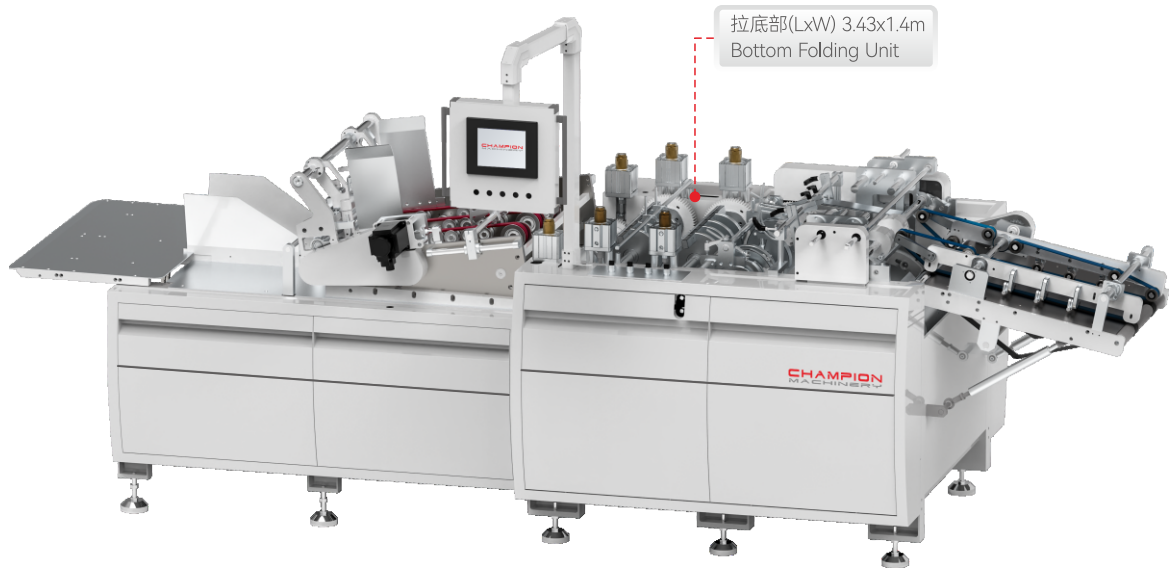
### Contents

|                           |   |
|---------------------------|---|
| 机器名称图片 Machine Name Image | 3 |
| 工艺流程图 Process Flowchart   | 3 |
| 机器说明 Machine Description  | 4 |
| 机器特点 Machine Features     | 4 |
| 参数示意图 Sheet Paper Data    | 4 |
| 主要技术参数 Technical Data     | 5 |
| 设备占地规划 Machine Floor Plan | 5 |
| 核心配件 Core Accessories     | 6 |

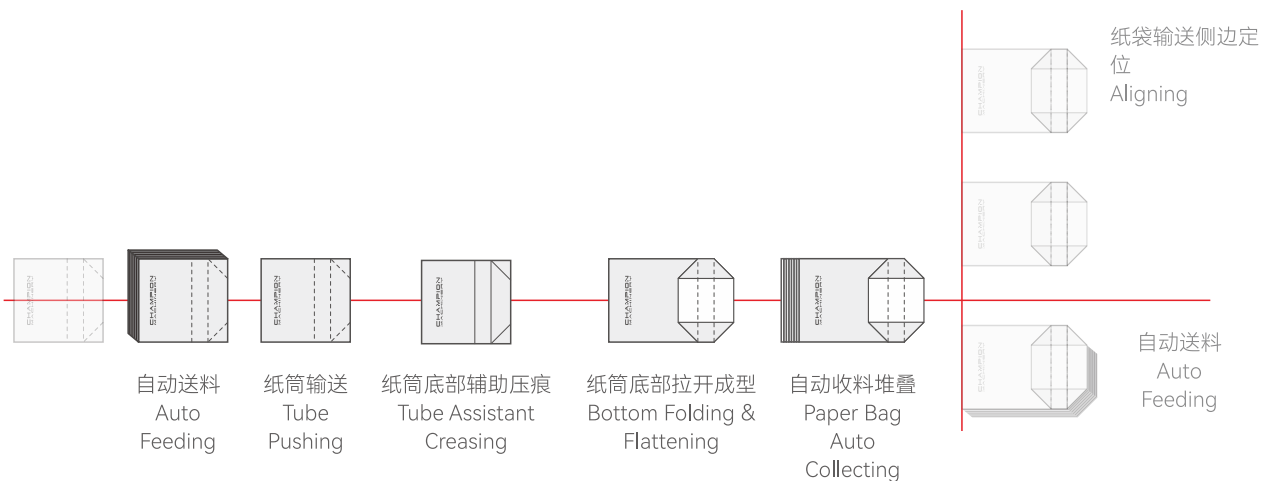
# CMBF-420A/520A/600A

Paper Bag Bottom Folding Machine

纸袋拉底机



## 工艺流程图 Process Flowchart



进入底部粘合工序  
or choice go on with bottom gluing process  
CMBF-600AC/1000RS



## 机器说明 Machine Description

拉底机是纸袋成型的关键设备，专用于纸袋底部的精准拉伸定位与初步定型，为后续糊底/封底工序提供预制结构。

The bottom-pulling machine is a key equipment for paper bag forming. It is dedicated to the precise stretching, positioning and preliminary shaping of the bottom of the paper bag, providing a prefabricated structure for the subsequent bottom gluing/sealing process.

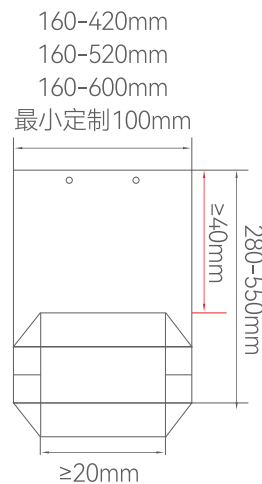
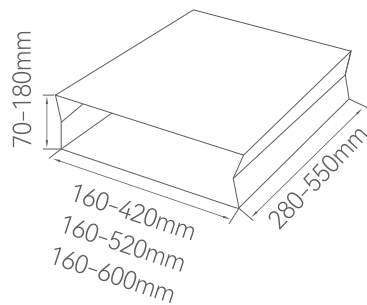


## 机器特点 Machine Features

1. 全新人性化设计和编程，确保您稳定生产，快速更换尺寸，让您对投资充满信心。
  2. 生产力高，调整方便，适用范围广。适用于小型、中型和大型生产。
  3. 一键启动底部开启功能，记录历史参数，逻辑计算并设置仅支持三种包装袋尺寸的机器。
  4. 高级流线型单张送纸输送设计，稳定高效，产能灵活。
  5. 适用于多种厚度和尺寸的纸张，省时高效，调试简单，性能稳定，价格实惠，性价比高。
1. Fresh operator friendly design and programming, ensure you run production stably, fast in size changing, and confident in investing in your business.
  2. It is widely applicable due to high productivity and easy adjustment. It can be applied to the production of small, medium and large.
  3. One button clicking to make ready of the bottom opening function, records the history parameters, logically calculating and set the machine with 3 of the bag sizes only.
  4. High-level streamlined sheet paper feeding and conveying design, stable and efficient, with flexible production capacity.
  5. Applicable to a variety of thicknesses and dimensions of paper, saving time and efficiency, with simple commissioning and stable performance, and affordable and cost-effective performance.



## 参数示意图 Sheet Paper Data





## 主要技术参数 TechnicalData

| 纸筒尺寸 Paper Bag Tube Size                           |                        |  |
|--|------------------------|--|
| 纸筒宽度   | Paper Bag Tube Width   | 160-420/520/600mm CMBF-420A able to customized min 100mm |
| 纸筒长度   | Paper Bag Tube Length  | 280-550mm  |
| 风琴尺寸   | Paper Bag Gusset       | 70-180mm   |
| 适用纸张原材料和耗材 Suitable Paper Material & Glue & Handle |                        |  |
| 牛皮纸  | Kraft Paper            | 120-350gsm   |
| 铜版纸/覆膜纸  | Coat Paper / Laminated | 128-250gsm   |
| 白卡纸  | White Board Paper      | 157-300gsm   |
| 灰板纸  | Grey Board Paper       | 128-300gsm   |
| 运行 Running   |                        |  |
| 速度   | Speed                  | 0-70 pcs/min   |
| 电压   | Voltage                | 380V/220V 50/60HZ 3 phase                                |
| 生产功率   | Production Power       | 3.5-4.0KW  |
| 机器尺寸和重量 Machine Size & Weight                      |                        |  |
| 机器   | Size                   | 3.5 × 1.65 × 1.9M  |
| 重量   | Weight                 | 4000kg   |
| 安装要求 Installation                                  |                        |  |
| 装机总功率  | Total Power Supply     | 6.5KW  |



## 设备占地规划 Machine Floor Plan





核心配件 Core Accessories



**SynMatic**

运动控制系统  
伺服电机/伺服驱动/变频器  
SIMOTION  
Servo motor/servo drive/frequency converter

安驰 中国  
SynMatic China



**KEYENCE**

总线控制  
BUS CONTROL

基恩士 日本  
Keyence Nippon



**Honeywell**

编码器/接近开关  
热过载继电器接触器  
ENCODER/PROXIMITY SWITCH  
Thermal overload relay contactor

霍尼韦尔 美国  
Honeywell US



**KEYENCE**

主光电眼/光纤  
MAIN OPTICAL EYE/FIBER

基恩士 日本  
Keyence Nippon



触摸屏  
TOUCH SCREEN

威伦 台湾  
WEINVIEW Taiwan



**MAC**

电磁阀  
SOLENOID VALVE

MAC 美国  
MAC US



**CPG**

减速机马达  
REDUCER MOTOR

晟邦 台湾  
Shengbang CPG Taiwan



**SIEMENS**

主马达  
MAIN MOTOR

西门子贝德 德国  
Siemens Bader Germany



**ORION**

真空泵  
VACUUM PUMP

好利旺 日本  
ORION Japan