

## Beli Chan

Sales Manager

M: +86 139 2586 8276

WhatsApp: +86 139 2586 8276

E-mail: Beli@championbagmaker.com

MACHINERY MANUFACTURER OF LUXURY PAPER BAGS

CHAMPION MACHINERY MANUFACTURING CO.,LTD.

Add: 42#2and Longyan Industrial Avenue, Humen Town Dongguan City, China PR  
Website: www.paper-bag-machine.com

**CHAMPION**  
MACHINERY



## Coffee Gong

Sales

M: +86 186 8118 5198

WhatsApp: +86 134 2327 5528

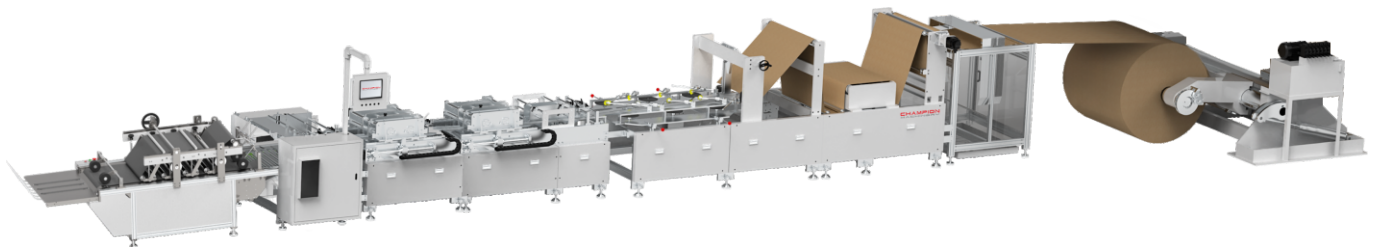
E-mail: sales8@championbagmaker.com

MACHINERY MANUFACTURER OF LUXURY PAPER BAGS

CHAMPION MACHINERY MANUFACTURING CO.,LTD.

Add: 42#2and Longyan Industrial Avenue, Humen Town Dongguan City, China PR  
Website: www.paper-bag-machine.com

**CHAMPION**  
MACHINERY



## CMBM-600WP-V-WW

Leak-proof V Bottom Paper Bag Machine

防漏水尖底纸袋机

## 目录

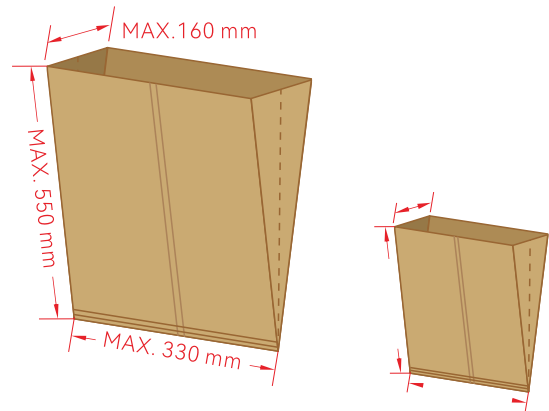
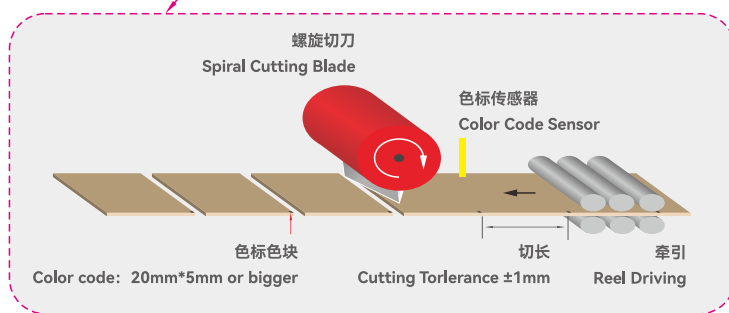
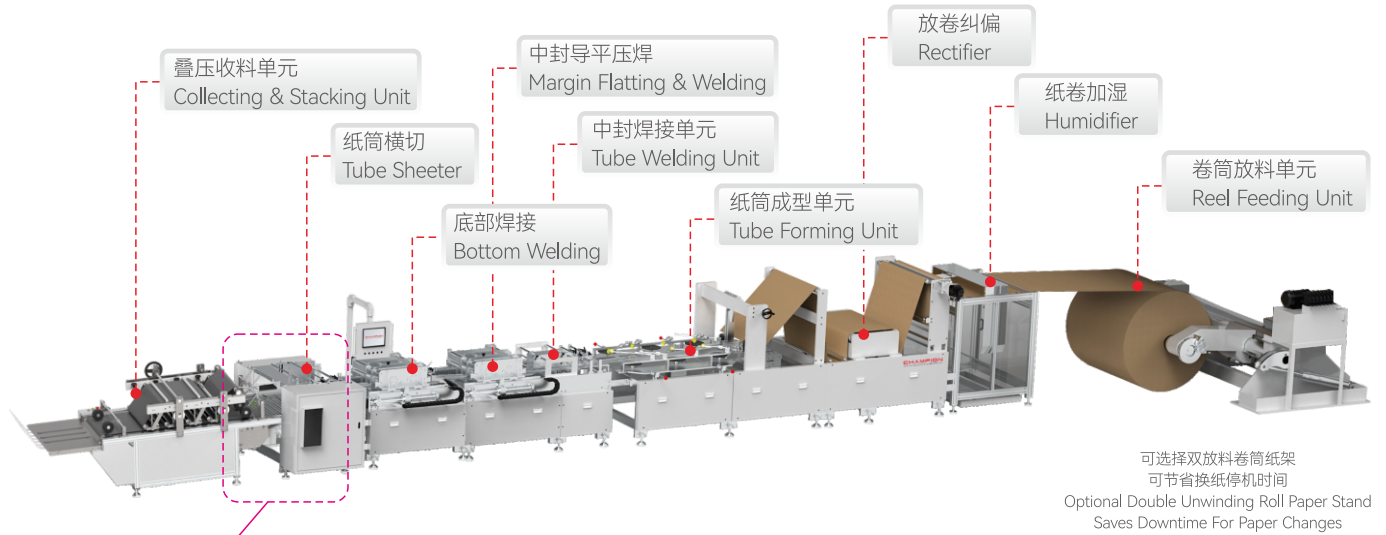
### Contents

|                           |   |
|---------------------------|---|
| 机器名称图片 Machine Name Image | 3 |
| 工艺流程图 Process Flowchart   | 3 |
| 机器说明 Machine Description  | 4 |
| 机器特点 Machine Features     | 4 |
| 纸袋简介 Brief Description    | 5 |
| 上机物料要求 Machine Dscription | 5 |
| 主要技术参数 Technical Data     | 5 |
| 设备占地规划 Machine Floor Plan | 5 |
| 核心配件 Core Accessories     | 6 |

# CMBM-600WP-V-WW

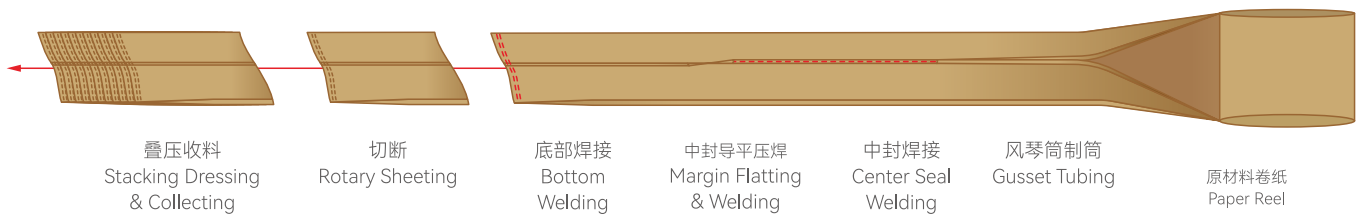
## Leak-proof V Bottom Paper Bag Machine

### 防漏水尖底纸袋机



### 工艺流程图 Process Flowchart

焊接 Welding  
 进纸方向 (印刷面朝下) Sheet direction going printing on the other side





## 机器说明 Machine Description

### 袋底成型模块

**吹气开底机构:** 电磁阀控制前后吹气装置, 高压气体精准撑开袋底, 为折底工序预制六边形态。

**热烫密封单元:** 瞬时高温压合覆膜层, 形成密封边线, 防水防漏。

### 智能控制系统

**人机交互界面:** 触摸屏集中控制, 实时显示故障警报及参数微调 (如温度、速度)。

**PLC+光电检测:** 光电传感器联动伺服电机, 实现无料停机、夹袋检测等功能。

### 多功能执行组件

**夹持系统:** 折口夹持板与袋口夹持板协同固定袋体, 振动装置压实内容物, 减少袋内空气。

### Bag Bottom Forming Module

**Blowing Bottom Opening Mechanism:** Solenoid valves control the front and rear air blowing mechanisms. High-pressure air precisely opens the bag bottom, performing a hexagonal shape for the bottom folding process.

**Hot Sealing Unit:** Instantaneous high-temperature lamination creates a sealed edge, ensuring water and leak resistance.

### Intelligent Control System

**Human-Machine Interface:** A touchscreen provides centralized control, displaying real-time fault alerts and allowing fine-tuning of parameters (such as temperature and speed).

**PLC + Photoelectric Detection:** A photoelectric sensor coupled to a servo motor enables functions such as no-material shutdown and bag clamping detection.

### Multifunctional Actuator

**Clamping System:** The folding and bag opening clamping plates work together to secure the bag. A vibration mechanism compacts the contents and reduces air in the bag.



## 机器特点 Machine Features

**无缝生产链:** 集成上料、翻边、成筒、热烫密封、切断、折底等工序, 减少人工干预, 大幅提升效率。

**六边形袋底成型:** 前后高压吹气装置精准开底, 使袋底呈六边形结构, 结合热烫压合技术, 实现物理防漏。

**动态调节机构:** 折口夹持板配备间隙/高度调节模块 (限位块+伸缩杆), 兼容不同克重纸张。

吹气角度可旋转调节 (旋转杆+链轮传动), 避免气流偏移导致袋形歪斜。

**节能设计:** 自动润滑系统降低能耗, 变频电机牵引上料减少空转损耗。

**覆膜纸袋专用:** 支持覆膜牛皮纸、医用纸等防水材料, 热压覆膜层增强防渗性。

**无胶水工艺:** 替代传统胶粘侧边, 采用热烫成型, 杜绝侧边开裂风险。

**Seamless production chain:** Integrates loading, flanging, tube forming, hot-stamping and sealing, cutting, bottom opening, bottom folding, and bottom lamination, reducing manual intervention and significantly improving efficiency.

**Hexagonal bottom forming:** Front and rear high-pressure air blowers precisely open the bottom, creating a hexagonal structure. Combined with hot-stamping technology, this system provides physical leak prevention.

**Dynamic adjustment mechanism:** The folding clamping plate is equipped with a gap/height adjustment module (limiting blocks + telescopic rod) to accommodate different paper weights.

The air blow angle is adjustable (rotating rod + sprocket drive) to prevent airflow deviation and bag shape distortion.

**Energy-saving design:** An automatic lubrication system reduces energy consumption, and a variable-frequency motor drives the material feeding process to reduce idling losses.

**Specialized for laminated paper bags:** Compatible with waterproof materials such as laminated kraft paper and medical paper, the hot-stamped lamination layer enhances impermeability.

**Glue-free process:** Instead of traditional gluing of the sides, hot-stamping is used to form the sides, eliminating the risk of cracking.



## 纸袋简介 / Brief Description

### 材料 Material

1. 淋膜纸 PE/PLA/PPP/PBCA Coated Paper
2. 涂层纸 Water Based Coating Paper
3. 材料厚度 Material Thickness  
纸基厚度 Paper Thickness: 50~100gsm  
涂层/淋膜厚度 Coating Thickness: 10~30um
4. 放卷宽度 Reel Feeding Width: 560~1200mm
5. 纸袋尺寸 bag Sizes  
袋宽 Bag Width: 150~330mm  
袋高 Bag Height: 200~550mm  
风琴 Gusset: 65-160mm  
边封尺寸 Side Welding Margin: 15~30mm  
底封尺寸 Bottom Welding Margin: 20~35mm
6. 适用胶水: Non-glue, Water Glue, Hotmelt Glue, Pur Glue



## 上机物料要求 / Machine Description

- 分切精度:  $\pm 1\text{mm}$ 。  
色标色块: 20mm\*5mm, 色标与相近印刷色图案须纵向大于20mm  
涂层/淋膜厚度均匀性: 均匀性误差须小于 $\pm 3\mu\text{m}$   
焊接熔化温度: 90~260°C
- Cutting tolerance:  $\pm 1\text{mm}$ .  
Color code: 20mm\*5mm or bigger, vertical distance from similar pattern printing to color-code must be longer than 20mm.  
Coating thickness uniform: tolerance must be less than  $\pm 3\mu\text{m}$   
Welding temperature: 90~260°C

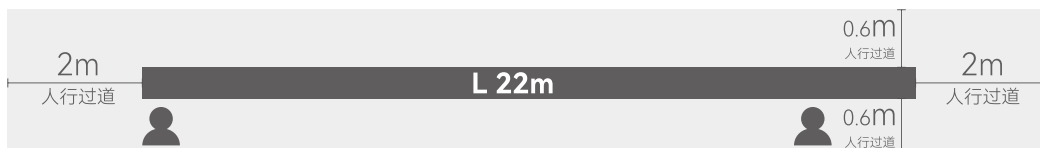


## 主要技术参数 Technical Data

|            |                            |  |
|------------|----------------------------|--|
| 袋型         | Bag Type                   | 尖底袋 V Bottom Bag                             |
| 卷材宽幅度      | Reel Width                 | 400-760mm                                    |
| 卷材厚度       | Reel Thickness             | 50-140gsm                                    |
| 放卷直径       | Unwinding Diameter         | 最大Max. 1200mm                                |
| 成品高度       | Bag Height                 | 200-550mm                                    |
| 成品宽度 (底长)  | Bag Width (Bottom Length)  | 150-330mm                                    |
| 风琴位尺寸 (底宽) | Gusset Size (bottom Width) | 65-160mm                                     |
| 粘接位宽度      | Glue Margin Width          | 20-50mm                                      |
| 速度         | Speed                      | 限速至 85 pcs/min (注: 速度和工人的操作, 纸张材质、胶水有关)      |
| 机器尺寸       | Machine Size               | 2200x1700x1600mm                             |
| 机器重量       | Machine Weight             | 约 15T  |
| 适用胶水       | Applicable Glue            | Non-glue, Water Glue, Hotmelt Glue, PUR Glue |



## 设备占地规划 Machine Floor Plan





核心配件 Core Accessories



**SynMatic**

运动控制系统  
伺服电机/伺服驱动/变频器  
SIMOTION  
Servo motor/servo drive/frequency converter

安驰 中国  
SynMatic China



**KEYENCE**

总线控制  
BUS CONTROL

基恩士 日本  
Keyence Nippon



**Honeywell**

编码器/接近开关  
热过载继电器接触器  
ENCODER/PROXIMITY SWITCH  
Thermal overload relay contactor

霍尼韦尔 美国  
Honeywell US



**KEYENCE**

主光电眼/光纤  
MAIN OPTICAL EYE/FIBER

基恩士 日本  
Keyence Nippon



触摸屏  
TOUCH SCREEN

威伦 台湾  
WEINVIEW Taiwan



**MAC**

电磁阀  
SOLENOID VALVE

MAC 美国  
MAC US



**CPG**

减速机马达  
REDUCER MOTOR

晟邦 台湾  
Shengbang CPG Taiwan



**SIEMENS**

主马达  
MAIN MOTOR

西门子贝德 德国  
Siemens Bader Germany



**ORION**

真空泵  
VACUUM PUMP

好利旺 日本  
ORION Japan