

Beli Chan

Sales Manager

M: **+86 139 2586 8276**

WhatsApp: +86 139 2586 8276

E-mail: Beli@championbagmaker.com

MACHINERY MANUFACTURER OF **LUXURY PAPER BAGS**

CHAMPION MACHINERY MANUFACTURING CO.,LTD.

Add: 42#2and Longyan Industrial Avenue, Humen Town Dongguan City, China PR
Website: www.paper-bag-machine.com

CHAMPION
MACHINERY



Coffee Gong

Sales

M: **+86 186 8118 5198**

WhatsApp: +86 134 2327 5528

E-mail: sales8@championbagmaker.com

MACHINERY MANUFACTURER OF **LUXURY PAPER BAGS**

CHAMPION MACHINERY MANUFACTURING CO.,LTD.

Add: 42#2and Longyan Industrial Avenue, Humen Town Dongguan City, China PR
Website: www.paper-bag-machine.com

CHAMPION
MACHINERY



CMVJ-360

Automatic High Speed V Bottom Paper Bag Machine

全自动高速尖底纸袋机

目录

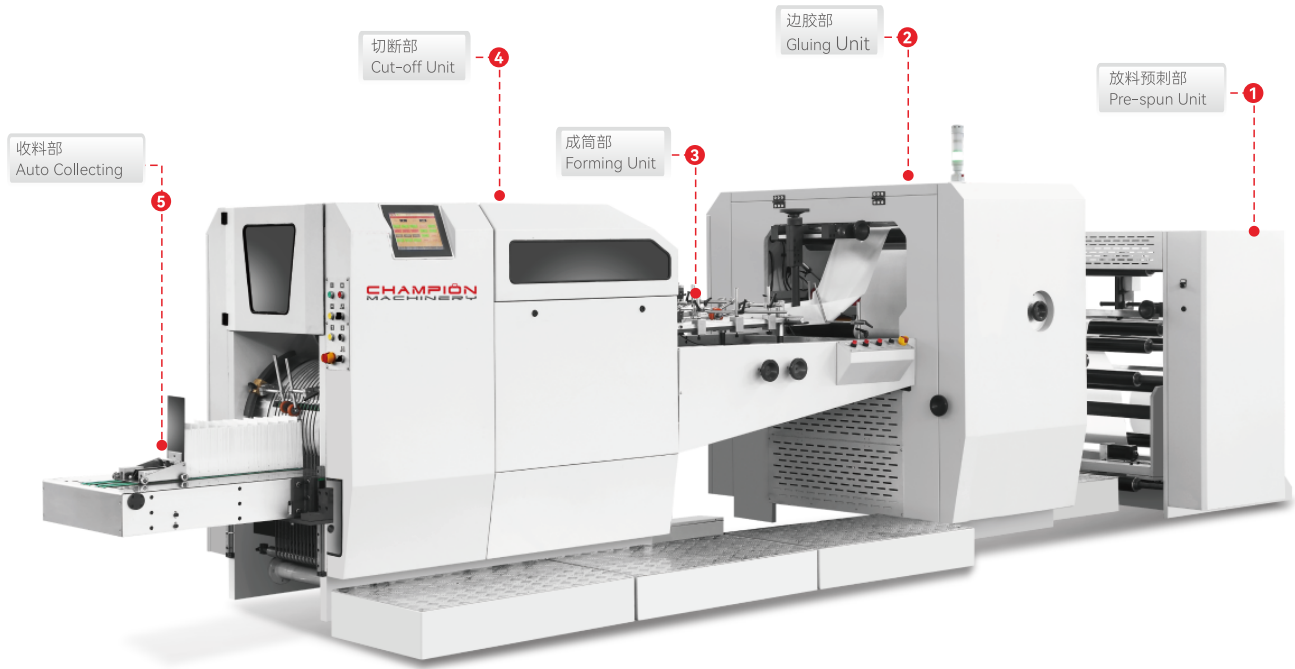
Contents

机器名称图片 Machine Name Image	3
工艺流程图 Process Flowchart	3
机器说明 Machine Description	4
机器特点 Machine Features	4
参数示意图 Sheet Paper Data	4
性能及用途 Properties	5
主要技术参数 Technical Data	5
核心部件 Core Components	6
设备占地规划 Machine Floor Plan	7

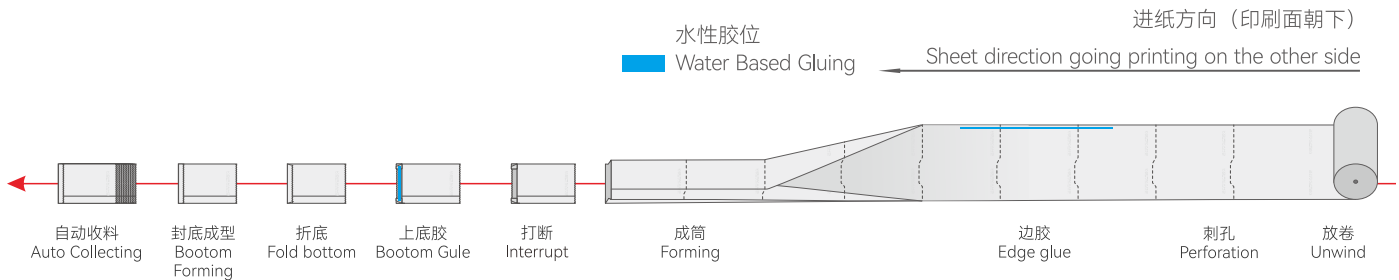
CMVJ-360

Automatic High Speed V Bottom Paper Bag Machine

全自动高速尖底纸袋机



工艺流程图 Process Flowchart





机器说明 Machine Description

本机用于卷筒原色纸或印刷卷筒纸如牛皮纸、食品纸等纸卷由本机一次完成纸袋工艺。由自动中锋上胶、印刷制袋跟踪。原料成筒、定长切断、底部压痕、底部折底、底部上胶。袋底成形，成品袋整理一次完成。本机操作更方便，更高效，更稳定，是生产各种不同纸质袋、休闲食品袋、面包袋、干果袋等环保纸袋机设备。

Rolling feed square bottom paper bag making machine, it uses paper roll in blank or printed as raw material. consists of automatic center forward glue, printing tracking, fixed length and cutting, bottom indentation, folding bottom, bottom glue. Bag bottom forming, finished bag collecting one time. The machine is more convenient, more efficient, more stable, can produce a variety of different paper bags, leisure food bags, bread bags, dried fruit bags and so on environmentally friendly paper bag machine equipment.



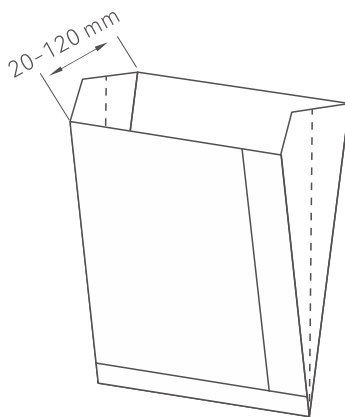
机器特点 Machine Features

1. 采用法国SCHNEIDER触摸屏人机界面，操作功能一目了然，便于掌控。
2. 采用德国LENZE运动控制器（PC），通过高速总线Ether CAT，保证高速运行稳定。
3. 采用德国LENZE伺服电机搭配德国SICK光电眼修正，精确跟踪印刷袋尺寸。
4. 原料装卸采用电机液压升降结构，放卷采用全自动恒张力控制。
5. 原料纠偏采用YOU DAO，降低纸卷对位调整时间。

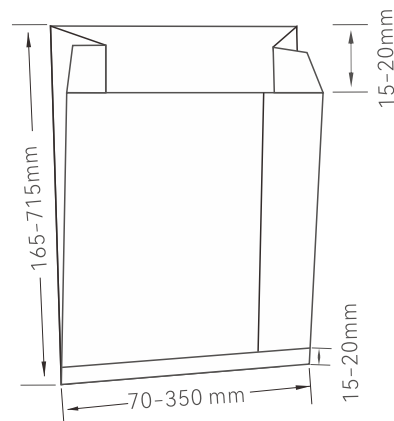
1. Adopt France/SCHNEIDER touch screen human-computer interface, operate and control easily.
2. Adopt Germany LENZE PC control, Integrated with optical fiber, ensure high speed running steadily.
3. Germany LENZE servo motor and German SICK Photoelectric eye correction, tracking printing bag accurately.
4. Raw material load adopt pneumatic cylinder up and down structure, unwinding adopt auto tension control.
5. Raw material unwinding EPC adopt YOU DAO, reduce adjustment time.



参数示意图 Sheet Paper Data

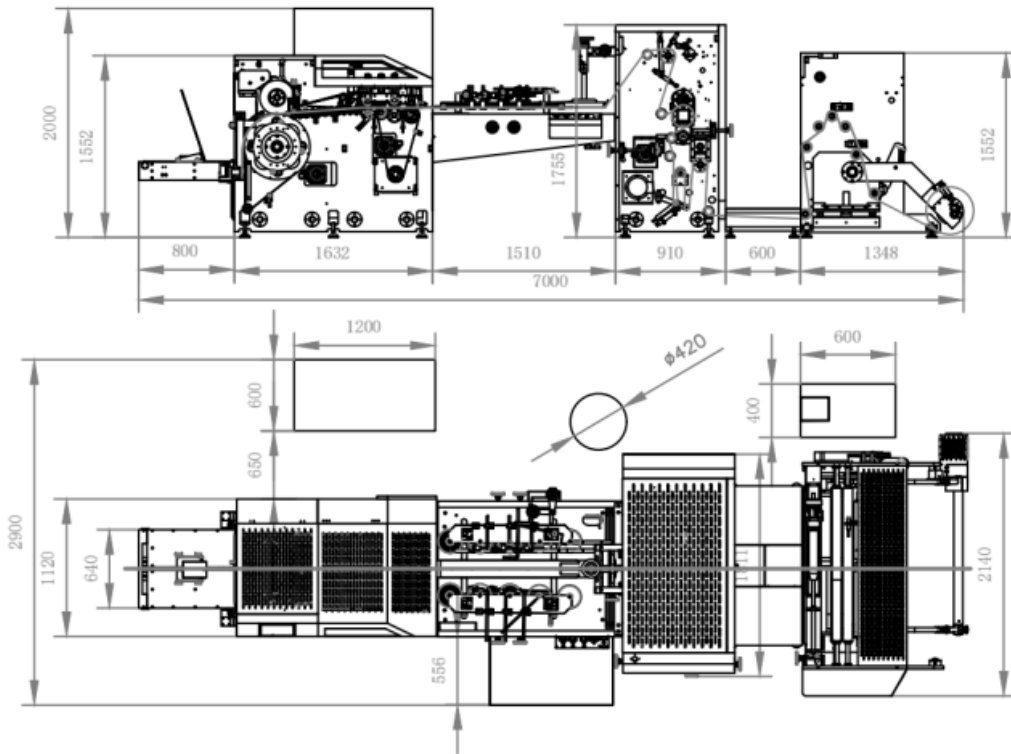


Paper bag





性能及用途 Properties



主要技术参数 TechnicalData

纸袋部分 Paper bag part		
切袋长度 (C)	Cut Bag Length	165—715mm
纸袋宽度 (W)	Paper Bag Width	70—350mm
插边尺寸	Insert Size	20—120mm
梯口高度	Bag Mouth Height	15/20mm
纸袋克重	Paper Thickness	35—80g/m ²
纸卷直径	Roll Paper Diameter	Φ1000mm
纸卷内径	Inner Diameter Of Paper	Φ76mm
纸卷宽度	Paper Roll Width	160—960mm
运行速度 Running speed		
机械速度	Machine Speed	50—700pcs/min 140m/min
制袋速度	Paper Bag Speed	50—650pcs/min
规格 Specification		
整机功率	Machine Power	380V 3相 (phase)4线 (wire) 32KW 380V 3-phase 4-wire 32KW
整机重量	Total Weight	6500kg
外形尺寸	Machine Dimension	6800x2900x2000mm



核心部件 Core Components

控制系统 Control System				
名称	Name	数量/QTY	国家/Country	品牌/Brand
运动控制器与模块	Motion Controller And The Module	1	Germany	LENZE
人机界面触摸屏	Human Computer Touch Screen Interface	1	France	SCHNEIDER
伺服电机	Servo Motor	3	Germany	LENZE
伺服电机减速机	Servo Motor Reducer	3	Taiwan	LIMING
伺服驱动器	Servo Driver	3	Germany	LENZE
输入滤波器	Input Filter	1	China	YIBO
主牵引电机及伺服驱动器	Main Motor And Servo Driver	1	Taiwan	DELTA
辅助牵引电机	Auxiliary Traction Motor	1	Taiwan	HOUSIN
低压电器	Low Voltage Electrical Apparatus	1	USA/France	EATON/SCHNEIDER
色标跟踪光电眼	Photoelectric Eye Color Code Tracking	1	Germany	SICK
激光光电传感器	Laser Photoelectric Sensor	1	Germany	SICK
气动元件	Pneumatic Component	1	Taiwan	AIRTAC
电柜带自动恒温空调柜	Air Conditioner For Electric Control Box	1	China	YIXIN
纠偏、张力控制系统 Deviation Correction And Tension Control System				
名称	Name	数量/QTY	国家/Country	品牌/Brand
自动纠偏系统	Automatic Correction System	1	China	YOUDAO
自动恒张力控制器	Automatic Constant Tension Controller	1	Germany	LENZE
磁粉制动器	Magnetic Powder Brake	1	China	YANXIN
传动 Transmission				
名称	Name	数量/QTY	国家/Country	品牌/Brand
同步带	Synchronous Belt	1	China	SHUNSHENG
6061铝合金同步轮	6061 Aluminum Alloy Synchronous Wheel	1	China	CHAMPION
6061铝合金导辊	6061 Aluminum Alloy Guide Roller	1	China	CHAMPION
洛12钢齿轮/渗碳钢齿轮	Luo 12 Steel Gear/Carburized Steel Gear	1	Taiwan	CHAMPION
纸卷气胀轴	Roll Pneumatic Shaft	1	China	K-XUAN
胶水部位 Glue Area				
名称	Name	数量/QTY	国家/Country	品牌/Brand
自动气动灌胶阀	Pneumatic Auto Glue Filling Valve	3	China	CHAMPION
边胶比例阀	Side Glue Ratio Valve	1	China	DELIXI
中封水性喷胶枪（密调节胶枪）	Center-Sealing Glue Gun For Water-Based Glue	1	China	YBL
水性白乳胶高压喷胶桶	White Latex Pneumatic Glue Barrel	2	China	CHAMPION
底胶胶水位检测开关	Base Glue Water Level Detection Switch	1	Switzerland	BAUMER

本款机器所使用的采购件在设备升级或更新时，用不低于现有品牌质量的同级品牌替代，卖方将保留权利，不再另外通知。

Note: The purchased parts used in this machine will be replaced by the same-level brand that is not lower than the existing brand quality when the equipment is upgraded or updated. The seller will reserve the right without further notice



设备占地规划 Machine Floor Plan

