

A0
Version

CHAMPION
MACHINERY

MACHINERY MANUFACTURER OF **LUXURY PAPER BAGS**
CHAMPION MACHINERY MANUFACTURING CO.,LTD.



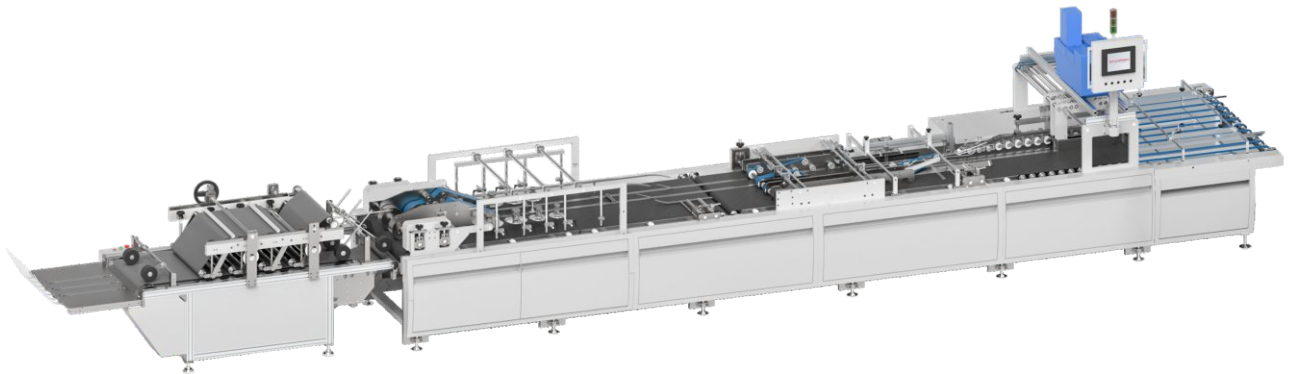
Tel: +86 139 2586 8276
WhatsApp: +86 139 2586 8276



E-mail: Bel@championbagmaker.com
Website: www.paper-bag-machine.com



Add: 42#2and Longyan Industrial Avenue, Humen Town
Dongguan City, China PR



Manul Feeder 1400/1600 Tube Maker

手动送料纸袋糊筒机

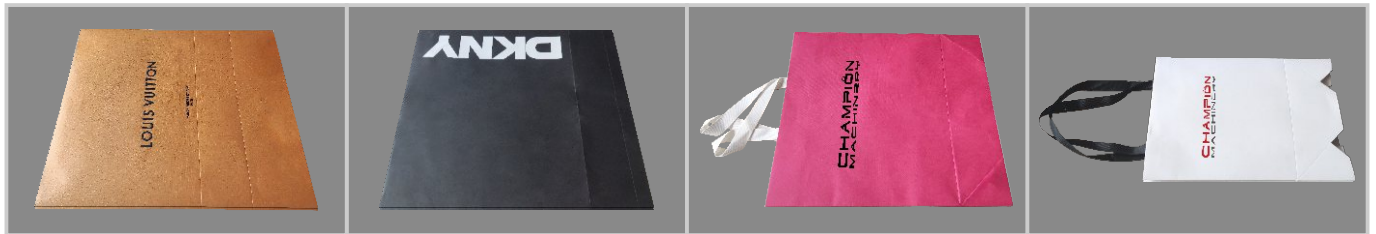
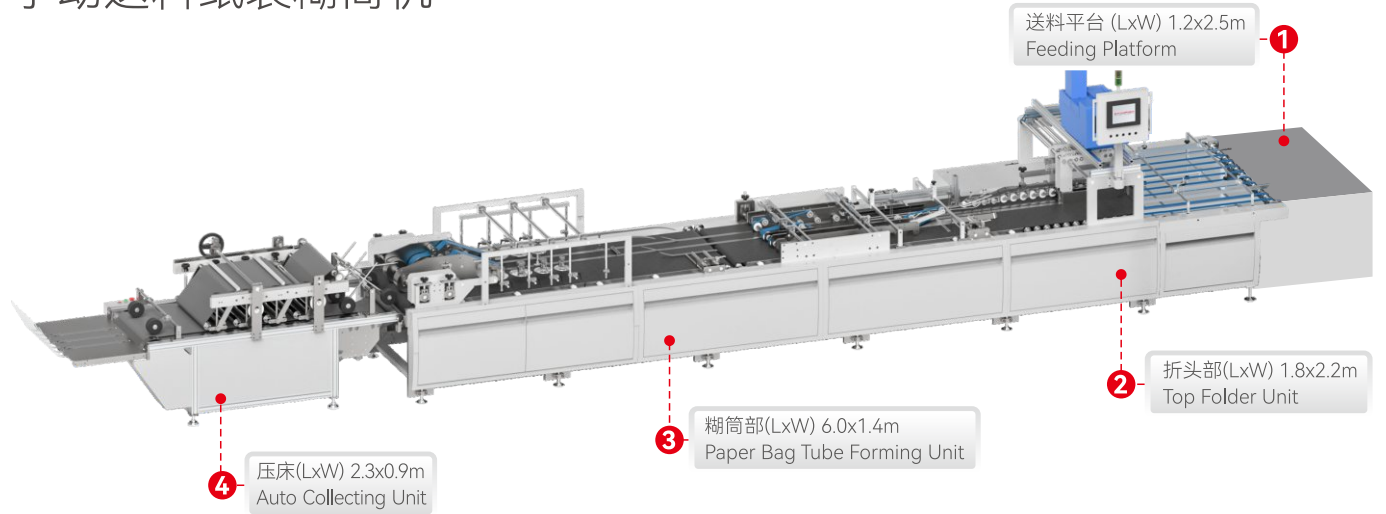
目录

Contents

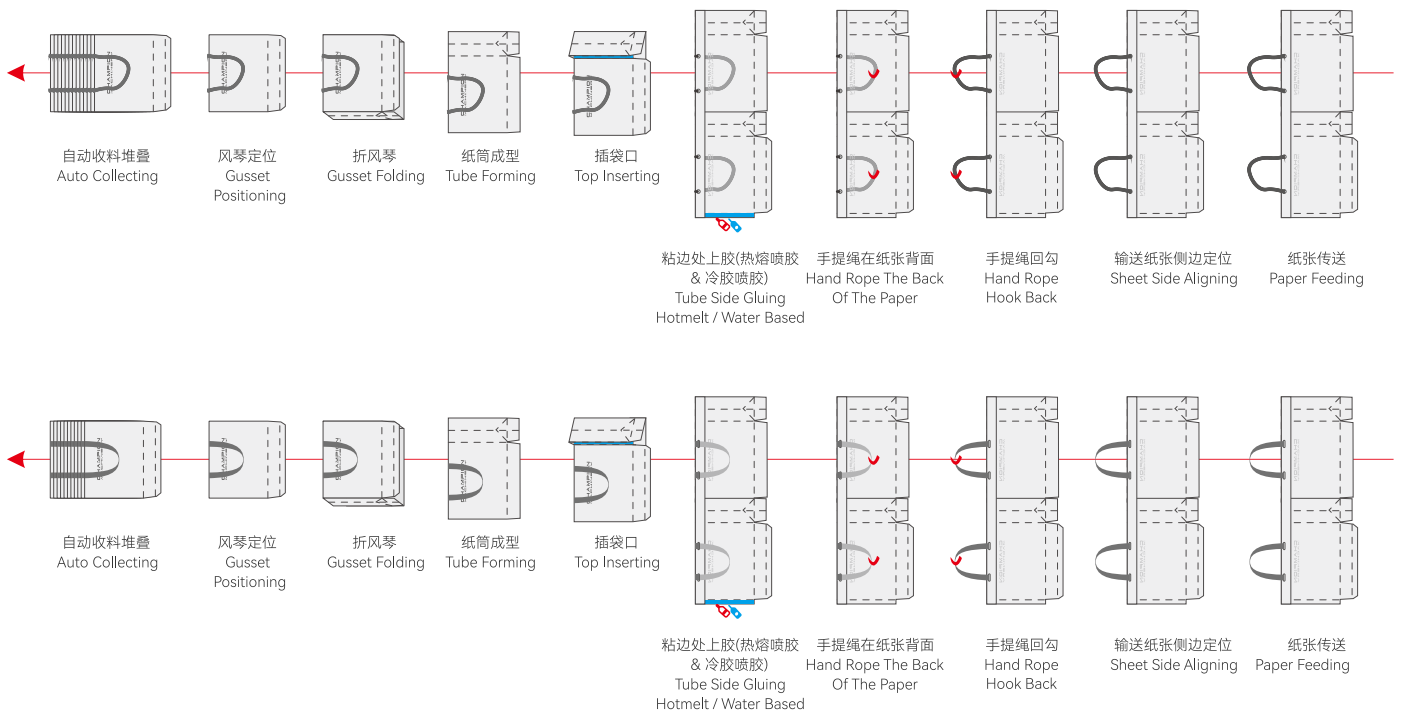
机器名称图片 Machine Name Image	3
工艺流程图 Process Flowchart	3
机器说明 Machine Description	4
机器特点 Machine Features	4
参数示意图 Sheet Paper Data	5
主要技术参数 Technical Data	6
设备占地规划 Machine Floor Plan	6
核心配件 Core Accessories	7

Manul Feeder 1400/1600 Tube Maker

手动送料纸袋糊筒机



工艺流程图 Process Flowchart





机器说明 Machine Description

- 1、设备采用人工送纸，灵活方便。
 - 2、智能控制系统，支持变频调速与自动计数，精度高。
 - 3、适配牛皮纸、白卡纸、纸纱复合袋等多种材质的糊筒。
 - 4、采用水胶、热胶两用系统，替代传统黄胶，减少VOCs排放。
 - 5、该设备是奢侈品包装、精品零售等领域实现降本增效、品质升级的理想之选。
1. The equipment uses manual paper feeding, offering flexibility and convenience.
 2. The intelligent control system supports variable frequency speed regulation and automatic counting, ensuring high accuracy.
 3. It is compatible with various materials such as kraft paper, white cardboard, and paper-yarn composite bags.
 4. It utilizes a dual-use water-based and hot-glue system, replacing traditional yellow glue to reduce VOC emissions.
 5. This equipment is ideal for achieving cost reduction, efficiency improvement, and quality upgrades in luxury packaging, boutique retail, and other sectors.

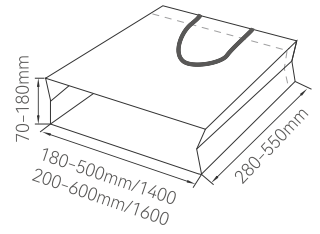
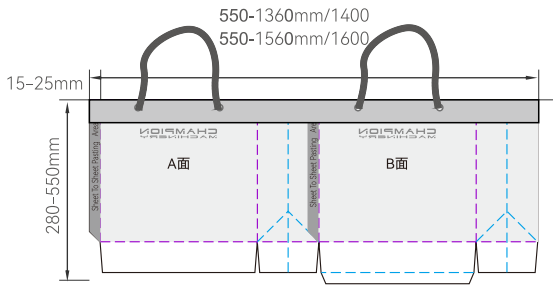


机器特点 Machine Features

- 1. 拼接技术:** 采用自主研发的双拼技术，确保纸袋尺寸精准，成型良好。可将两张较小尺寸的纸袋拼接成一个大尺寸的纸袋，无需额外购买大型设备和材料，大幅降低生产成本和投资。
 - 2. 高效自动化:** 该设备实现了全自动化操作流程，从原材料到成品袋一次性完成生产过程，包括自动拼袋、贴头卡、成筒、折风琴、拉底、贴底卡、涂底胶、袋底成型、成品袋整理等。
 - 3. 智能控制:** 主控电路采用进口单片机，人机界面，变频控制，参数设定方便快捷，操作集中直观，完全实现人性化的全自动运行控制。数字化故障自诊断功能，故障诊断一目了然，方便快速维护和调整。
 - 4. 降低人工成本:** 自动化程度高，只需一人即可完成整个生产流程，可减少3-5人的人工成本及中间搬运环节。简单易学，节省人工成本，更加人性化。
 - 5. 耐用维护便捷:** 双变频设计，机械结构简洁，磨损小，维护方便，使用寿命长。
 - 6. 关键部件:** 整机核心部件均采用知名品牌，性能稳定、高效耐用。
 - 7. 环保材料:** 粘合工艺多采用环保水性胶和热熔胶，符合食品包装安全标准，设备结构便于清洁维护，减少废弃物产生。
 - 8. 材料适应:** 支持多种纸张材质（120-350g/m²），包括牛皮纸、白卡纸、铜版纸等。
- 1. Splicing Technology:** Utilizing independently developed double-splicing technology, the machine ensures precise paper bag dimensions and precise shaping. It can splice two smaller paper bags into one large one, eliminating the need for additional large-scale equipment and materials, significantly reducing production costs and investment.
 - 2. Efficient Automation:** This machine features a fully automated process, completing the entire production process from raw materials to finished bags, including automatic bag splicing, header card application, tube forming, accordion folding, bottom pulling, bottom card application, bottom gluing, bottom forming, and finished bag finishing.
 - 3. Intelligent Control:** The main control circuit utilizes an imported single-chip microcomputer, a human-machine interface, and variable frequency control. Parameter setting is quick and easy, and operation is centralized and intuitive, achieving fully user-friendly, fully automatic operation. Digital fault self-diagnosis provides clear fault diagnosis at a glance, facilitating quick and easy maintenance and adjustments.
 - 4. Reduced Labor Costs:** With a high degree of automation, the entire production process can be completed by only one person, eliminating 3-5 labor costs and intermediate handling steps. Easy to learn, it saves labor costs and offers a more user-friendly experience.
 - 5. Durability and Easy Maintenance:** The dual-frequency design features a simple mechanical structure, minimal wear, easy maintenance, and a long service life.
 - 6. Key Components:** All core components of the entire machine utilize renowned brands, ensuring stable performance, high efficiency, and exceptional durability.
 - 7. Environmentally Friendly Materials:** The bonding process primarily utilizes environmentally friendly water-based and hot-melt adhesives, meeting food packaging safety standards. The machine structure is easy to clean and maintain, reducing waste generation.
 - 8. Material Compatibility:** Supports a variety of paper materials (120-350g/m²), including kraft paper, white cardboard, and coated paper.



参数示意图 Sheet Paper Data



主要技术参数 Technical Data

纸张尺寸 Sheet Paper Size

W进纸宽度范围	Sheet Paper Width	550-1360mm/1400	550-1560mm/1600
H进纸长度范围	Sheet Paper Length	280-550mm	

纸筒尺寸 Paper Bag Tube Size

折袋口尺寸	Paper Bag Top Folder Depth	30-70mm	
纸筒宽度	Paper Bag Tube Width	180-500mm/1400	200-600mm/1600
纸筒长度	Paper Bag Tube Length	280-550mm	
风琴尺寸	Paper Bag Gusset	70-180mm	
粘位尺寸	Sheet Paper Glue Side	15-25mm	

适用纸张原材料和耗材 Suitable Paper Material & Glue & Handle

牛皮纸	Kraft Paper	120-350gsm
铜版纸/覆膜纸	Coat Paper/ Laminated	157-250gsm
白卡纸	White Board Paper	157-300gsm
灰板纸	Grey Board Paper	157-300gsm
胶水	Glue	标配热溶选配胶水性冷胶 Hot melt glue option water base glue

运行 Running

速度	Speed	0-50 pcs/min
电压	Voltage	380V/220V 50/60HZ 3 phase
生产功率	Production Power	6-7.5KW

机器尺寸和重量 Machine Size & Weight

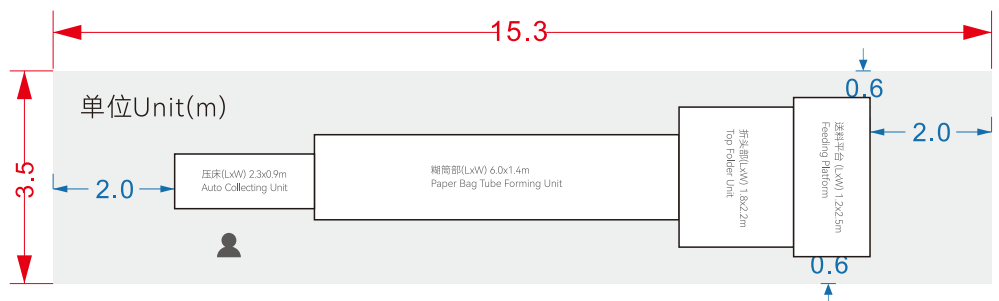
机器	Size	11.3×2.2×1.1M
重量	Weight	2000kg

安装要求 Installation

装机总功率	Total Power Supply	15KW
压缩空气	Compressed Air/ Capacity	6bar
储气罐能量	Air Tank Capacity	15m ³ /h



设备占地规划 Machine Floor Plan





核心配件 Core Accessories



SynMatic

运动控制系统
伺服电机/伺服驱动/变频器
SIMOTION
Servo motor/servo drive/frequency converter

安驰 中国
SynMatic China



SynMatic

总线控制
BUS CONTROL

安驰 中国
SynMatic China



FOTEK

编码器/接近开关
热过载继电器接触器
ENCODER/PROXIMITY SWITCH
Thermal overload relay contactor

阳明 台湾
FOTEK Taiwan



KEYENCE

主光电眼/光纤
MAIN OPTICAL EYE/FIBER

基恩士 日本
Keyence Japan



繁易
FLEXEM

触摸屏
TOUCH SCREEN

繁易 中国
FLEXEM China



亞德客
AirTAC

电磁阀
SOLENOID VALVE

亚德客 台湾
AirTAC Taiwan



CPG

减速机马达
REDUCER MOTOR

晟邦 台湾
Shengbang CPG Taiwan



SIEMENS

主马达
MAIN MOTOR

茵梦达 德国
Innomotics Germany



ORION

真空泵
VACUUM PUMP

好利旺 日本
ORION Japan