

A0
Version

CHAMPION
MACHINERY

MACHINERY MANUFACTURER OF **LUXURY PAPER BAGS**
CHAMPION MACHINERY MANUFACTURING CO.,LTD.



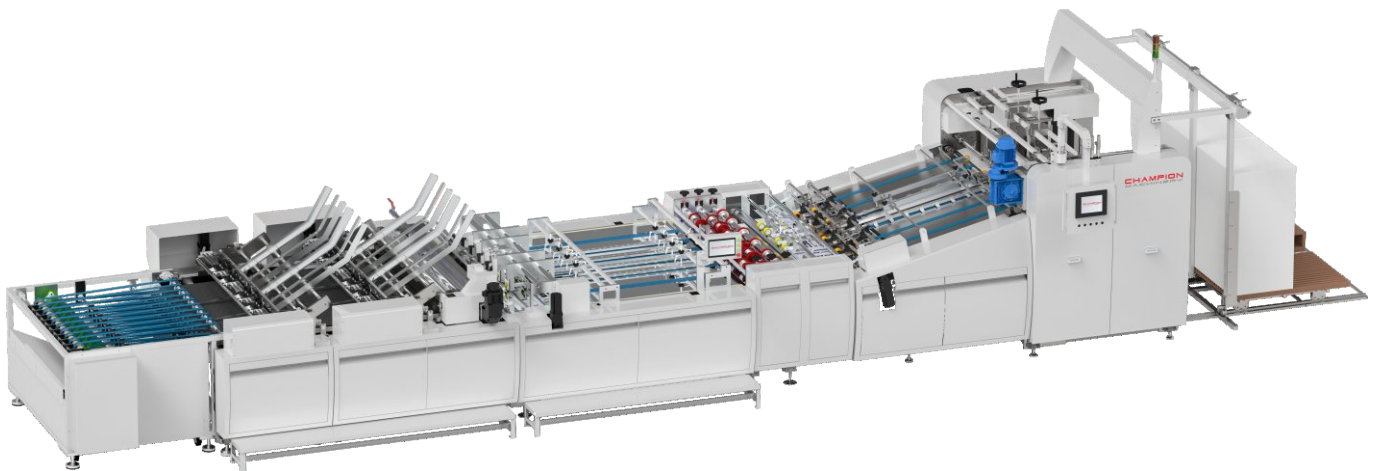
Tel: +86 139 2586 8276
WhatsApp: +86 139 2586 8276



E-mail: Bel@championbagmaker.com
Website: www.paper-bag-machine.com



Add: 42#2and Longyan Industrial Avenue, Humen Town
Dongguan City, China PR



CM2SP-1400TC/1600TC

Paper Bag Double Sheets Pasting
In Line With 4 PCS Top Cardboard Pasting

纸袋双拼贴头卡机

目录

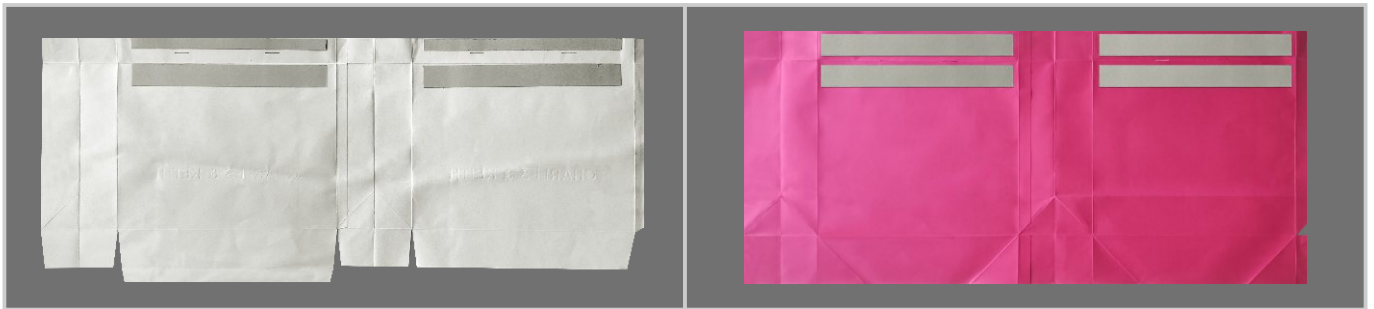
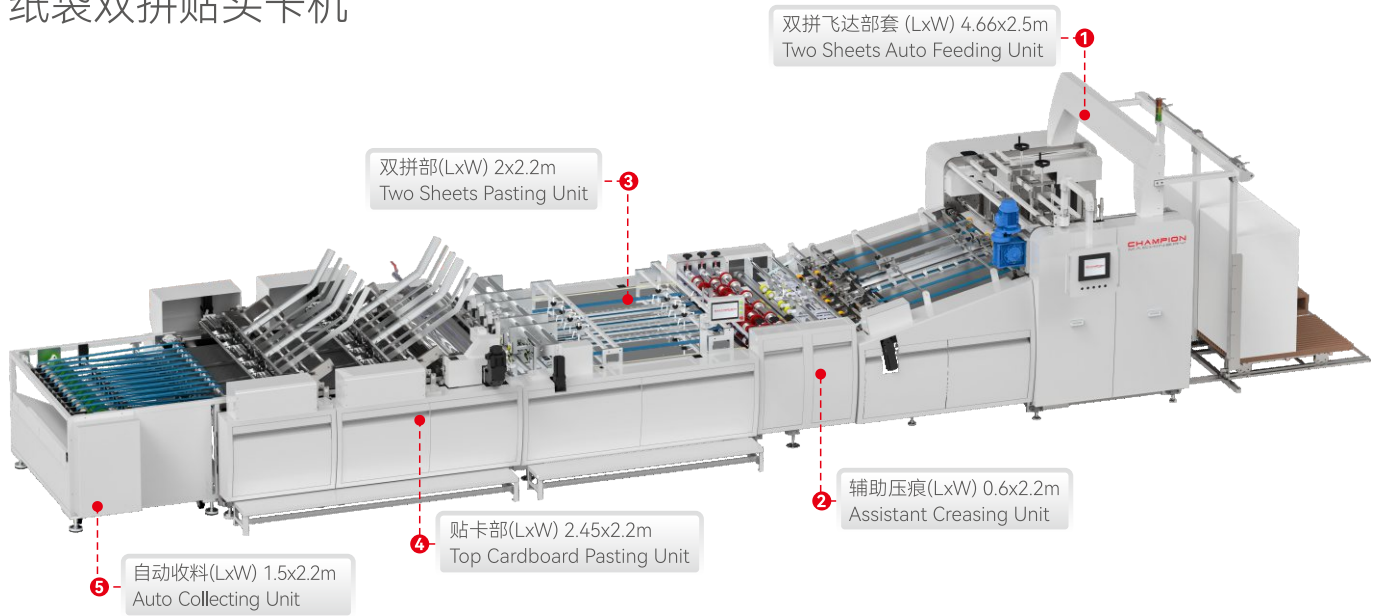
Contents

机器名称图片 Machine Name Image	3
工艺流程图 Process Flowchart	3
机器说明 Machine Description	4
机器特点 Machine Features	4
参数示意图 Sheet Paper Data	5
主要技术参数 Technical Data	6
设备占地规划 Machine Floor Plan	6
核心配件 Core Accessories	7

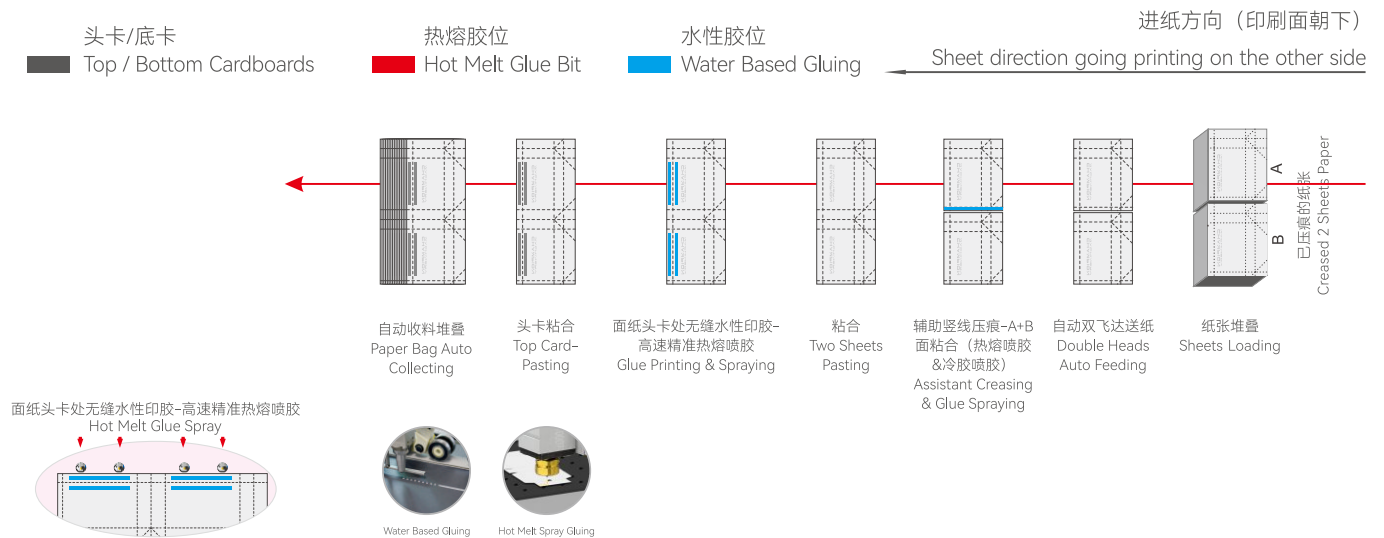
CM2SP-1400TC/1600TC

Paper Bag Double Sheets Pasting
In Line With 4 PCS Top Cardboard Pasting

纸袋双拼贴头卡机

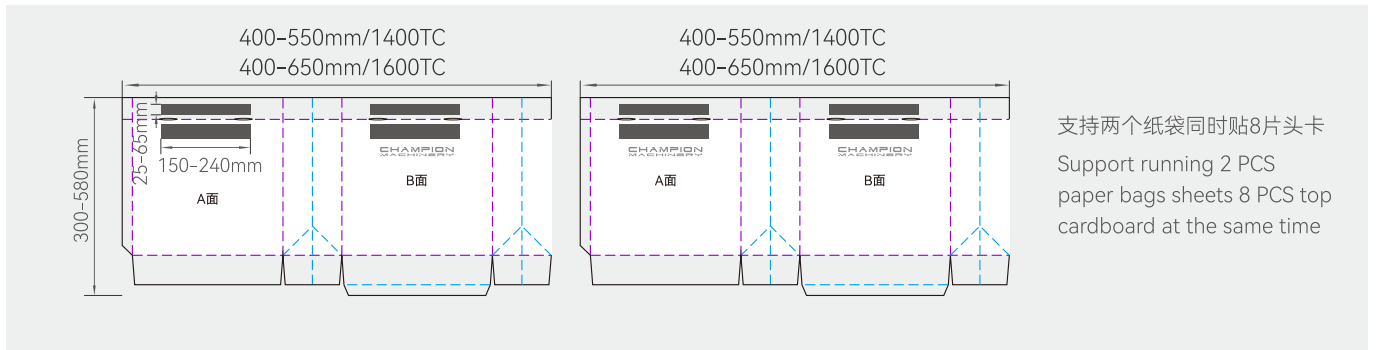
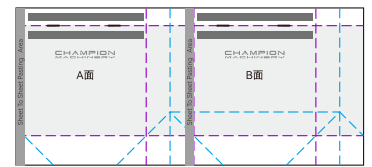
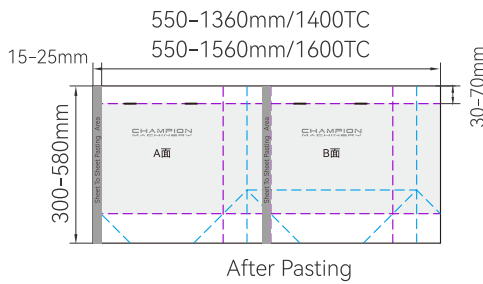
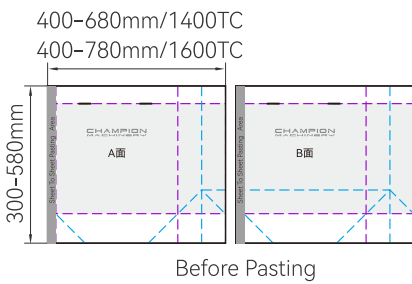
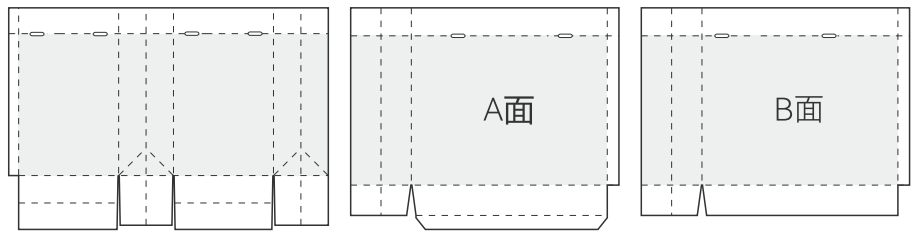
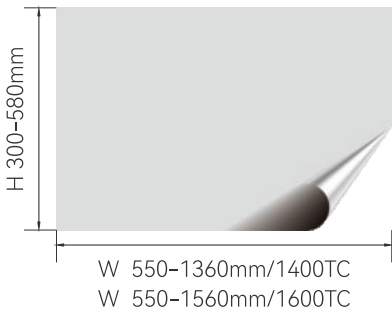


工艺流程图 Process Flowchart



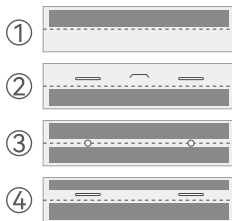
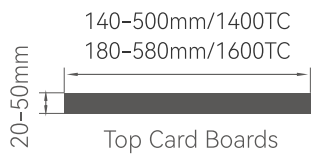


参数示意图 Sheet Paper Data



头卡粘贴的位置

Header card pasting position



- 1、纸板高于折叠线的位置
Position above top folding line
- 2、纸板位于折叠线以下
Position below top folding line
- 3、顶部粘贴4张相同尺寸的纸板
Top cardboard pasting 4 pcs same size
- 4、顶部粘贴4张不同尺寸的纸板
Top cardboard pasting 4 pcs different size



机器说明 Machine Description

我们全新推出双拼贴头卡机。该设备深度融合“全自动化智能控制、多功能一体集成、毫米级高精度贴合”三大核心技术优势，构建起覆盖原料处理到成品输出的全流程智能化生产体系。

设备较传统工艺生产效率明显提升，同时通过自动定位系统与自适应张力控制技术，将产品良率稳定控制在95%以上。其模块化设计支持快速切换不同规格纸袋生产，完美适配奢侈品包装、高端零售等领域的个性化定制需求，可为企业降本增效，助力实现从“制造”到“智造”的跨越式升级。

We have launched a new double-joint card laminating machine. This equipment deeply integrates the three core technical advantages of "fully automated intelligent control, multi-functional integrated, and millimeter-level high-precision lamination" to build a full-process intelligent production system covering raw material processing to finished product output.

This machine significantly improves production efficiency compared to traditional processes. Its automatic positioning system and adaptive tension control technology maintain a stable product yield of over 95%. Its modular design allows for rapid switching between different paper bag sizes, perfectly meeting the personalized customization needs of luxury packaging and high-end retail. This can help businesses reduce costs and increase efficiency, enabling a leap from "manufacturing" to "intelligent manufacturing."



机器特点 Machine Features

1. 该生产线生产效率高，调整方便，适用范围广。适用于小、中、大批量或定制化的双页纸袋贴头卡需求生产，也适用于对工艺、精度、外观和质量要求较高的高端双拼纸袋贴头卡，以及结构复杂的双拼或单张贴头卡生产；
2. 该生产线具有双拼糊合、头卡糊合功能，方便快捷。
3. 高精度、高产量、对操作员经验要求低和低损耗是CHAMPION 机械设备的显著特点。
4. 专门设计的头卡防滑系统，采用热熔胶上胶，确保头卡即时粘在纸张上。同时，卓越的专利水性胶印刷和贴卡系统设计，使顶卡固定精度高且持久耐用。
5. 防卡纸系统设计并配备，可防止生产过程中发生卡纸或连续卡纸。
6. 专利技术，包括防止不停机的不良输出功能，可确保您减少生产损耗和不良停机。目前设计了不良输出、不上胶或自动停机功能，可防止双层送纸、纸张倾斜、顶卡缺失、半边纸缺失、底部加固缺失或放置错误以及制袋卡纸等。
7. 全新人机界面设计和编程，确保您稳定运行生产，快速更换尺寸，让您对投资充满信心。

1. CHAMPION High-Performance Paper Bag & Header Card Laminating Production Line

High Efficiency, Easy Adjustment, and Wide Applicability

This production line offers high productivity, convenient adjustment, and broad adaptability. It is ideal for small, medium, and large batch as well as customized dual-page paper bag header card production. It is also suitable for high-end dual-combination paper bag header card applications where process control, precision, appearance, and quality are of critical importance, as well as for complex-structure dual or single-side header card production.

2. Dual Combination & Header Card Laminating Capabilities

The line is equipped with both dual combination gluing and header card laminating functions, offering fast and convenient operation.

3. Outstanding Performance: High Precision, High Output, Low Labor Dependency, and Low Waste

CHAMPION machinery is renowned for its high precision, high output, minimal dependence on operator experience, and low material waste — making it ideal for both skilled and novice operators.

4. Specially Designed Anti-Slip Header Card System with Hot Melt Glue Application

The system utilizes hot melt adhesive to ensure immediate and secure bonding of the header card to the paper. In addition, the patented water-based glue printing and card attaching system ensures high precision, long-lasting adhesion, and superior durability.

5. Anti-Jamming System for Enhanced Production Stability

The line is equipped with an advanced anti-jamming system designed to prevent paper jams and consecutive paper-stopping issues during operation, significantly improving production continuity and efficiency.

6. Patented Technologies for Reduced Downtime and Waste

Integrated with patented features, the system includes non-stop (defective product) rejection, no-glue detection, and automatic shutdown functions. These mechanisms effectively prevent common production errors such as double feeding, skewed paper, missing header cards, partial paper loss, missing or misaligned bottom reinforcement, and bag-making jams — minimizing production downtime and waste.

7. User-Friendly HMI and Programmable Control for Stable Operation and Quick Changeover

Featuring an all-new human-machine interface (HMI) and programmable control system, the machine ensures stable and reliable operation, quick size changeovers, and a high return on investment — giving users full confidence in their production capabilities.

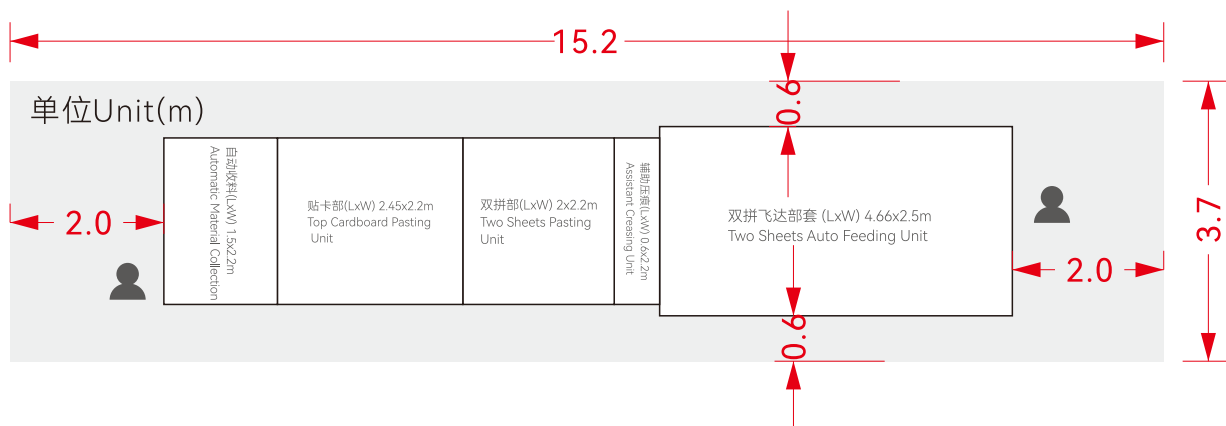


主要技术参数 TechnicalData

纸张尺寸 Sheet Paper Size		
W进纸宽度范围	Sheet Paper Width	550-1360mm/1400TC 550-1560mm/1600TC
H进纸长度范围	Sheet Paper Length	300-580mm
双拼纸尺寸 Two Sheet Paper Size		
W1进纸宽度范围	Before pasting Sheet Paper Width 1	400-680mm/1400TC 400-780mm/1600TC
W2进纸宽度范围	Before pasting Sheet Paper Width 2	400-680mm/1400TC 400-780mm/1600TC
W进纸宽度范围	After pasted W1+W2 sheet Paper Width	550-1360mm/1400TC 550-1560mm/1600TC
H进纸长度范围	Sheet Paper Length	300-580mm
适用纸张原材料和耗材 Suitable Paper Material & Glue & Handle		
牛皮纸	Kraft Paper	120-350gsm
铜版纸/覆膜纸	Coat Paper/ Laminated	157-250gsm
白卡纸	White Board Paper	157-300gsm
灰板纸	Grey Board Paper	157-300gsm
胶水	Glue	标配热熔胶, 选配水性冷胶 Hot melt glue option water base glue
手提绳	Handle	纸手腕圆/扁, 贴丝带, 打头手提绳子/丝带 其他 Flat paper handle, twisted paper handle, tipping with rope or ribbon handle, Ribbon handles with top cardboard pasting glue fix of luxury paper bag
头卡 Top Coadboards		
头卡宽度	Top Coadboards width	25-50mm
头卡长度	Top Coadboards length	140-500mm/1400TC 180-580mm/1600TC
头卡克重	Top Cardboards Thickness	200-400gsm 4pcs / 200-600gsm 2 pcs
运行 Running		
速度	Speed	0-100 pcs/min
电压	Voltage	380V/220V 50/60HZ 3 phase
生产功率	Production Power	12-13KW
机器尺寸和重量 Machine Size & Weight		
机器	Size	11.2×2.5×1.9M
重量	Weight	6600kg
安装要求 Installation		
装机总功率	Total Power Supply	25KW
压缩空气	Compressed Air / Capacity	6bar
储气罐能量	Air Tank Capacity	15m³/h



设备占地规划 Machine Floor Plan





核心配件 Core Accessories



SynMatic

运动控制系统
伺服电机/伺服驱动/变频器
SIMOTION
Servo motor/servo drive/frequency converter

安驰 中国
SynMatic China



SynMatic

总线控制
BUS CONTROL

安驰 中国
SynMatic China



FOTEK

编码器/接近开关
热过载继电器接触器
ENCODER/PROXIMITY SWITCH
Thermal overload relay contactor

阳明 台湾
FOTEK Taiwan



KEYENCE

主光电眼/光纤
MAIN OPTICAL EYE/FIBER

基恩士 日本
Keyence Japan



繁易
FLEXEM

触摸屏
TOUCH SCREEN

繁易 中国
FLEXEM China



亞德客
AirTAC

电磁阀
SOLENOID VALVE

亚德客 台湾
AirTAC Taiwan



CPG

减速机马达
REDUCER MOTOR

晟邦 台湾
Shengbang CPG Taiwan



SIEMENS

主马达
MAIN MOTOR

茵梦达 德国
Innomotics Germany



ORION

真空泵
VACUUM PUMP

好利旺 日本
ORION Japan