

A0
Version

CHAMPION
MACHINERY

MACHINERY MANUFACTURER OF **LUXURY PAPER BAGS**
CHAMPION MACHINERY MANUFACTURING CO.,LTD.



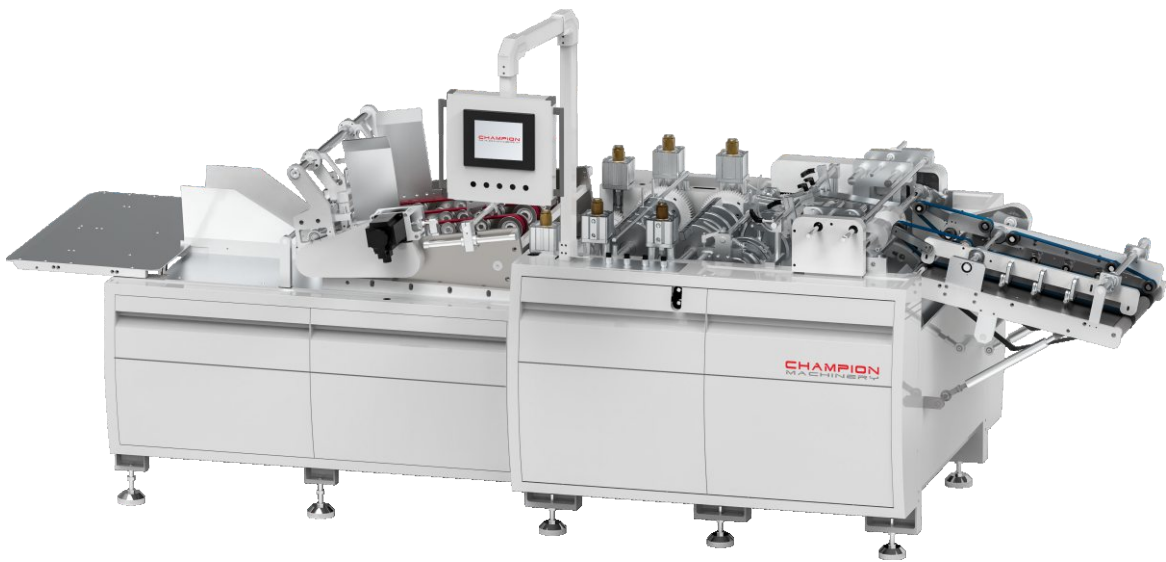
Tel: +86 139 2586 8276
WhatsApp: +86 139 2586 8276



E-mail: Bel@championbagmaker.com
Website: www.paper-bag-machine.com



Add: 42#2and Longyan Industrial Avenue, Humen Town
Dongguan City, China PR



CMBF-420A/520A/600A

Paper Bag Bottom Folding Machine

纸袋拉底机

目录

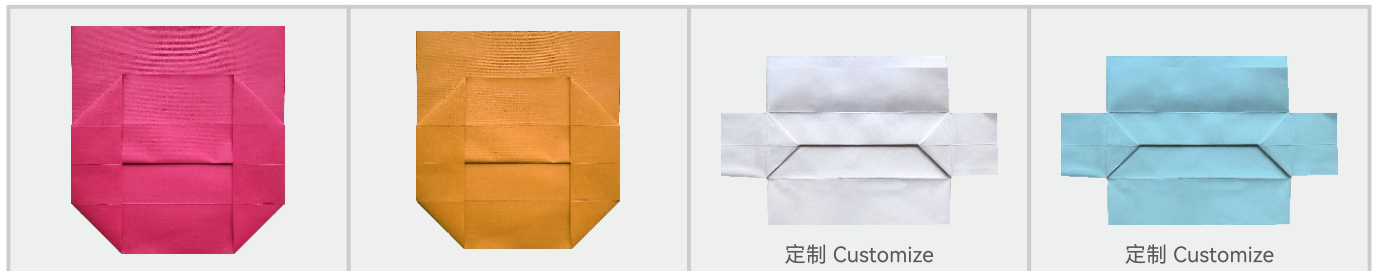
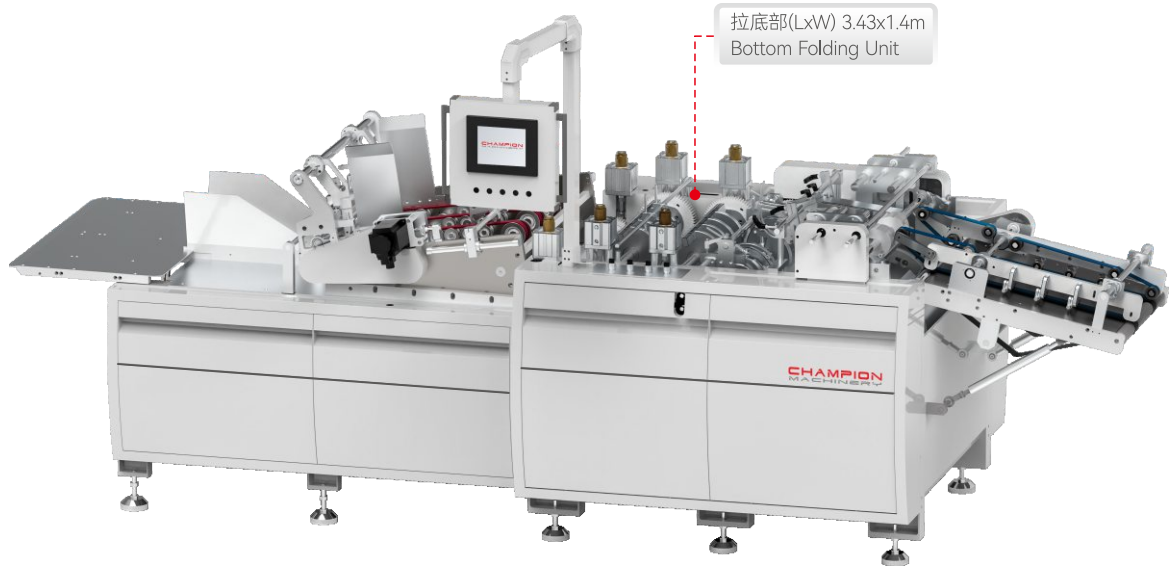
Contents

机器名称图片 Machine Name Image	3
工艺流程图 Process Flowchart	3
机器说明 Machine Description	4
机器特点 Machine Features	4
参数示意图 Sheet Paper Data	4
主要技术参数 Technical Data	5
设备占地规划 Machine Floor Plan	5
核心配件 Core Accessories	6

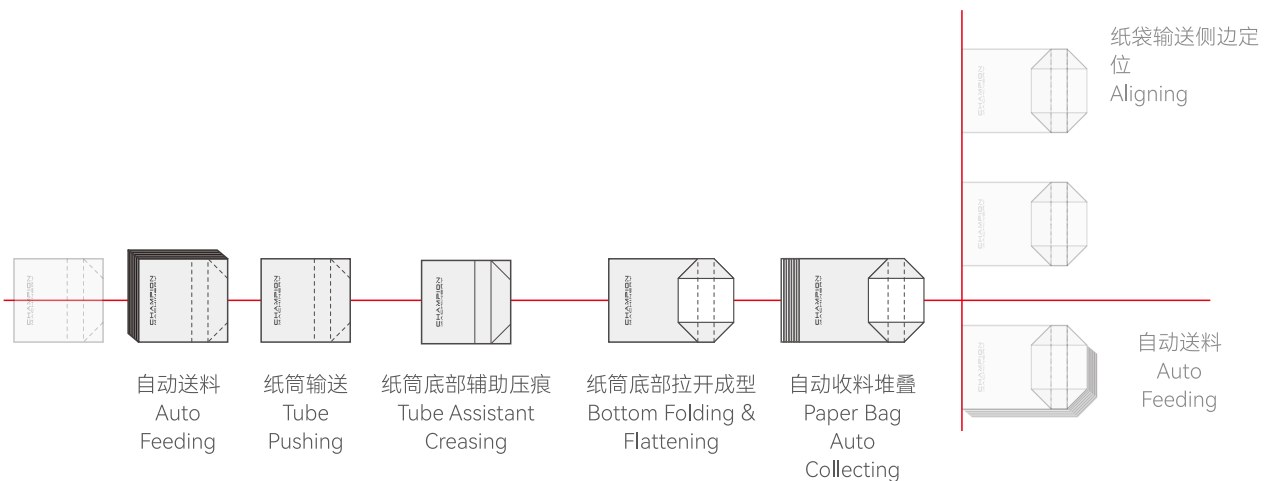
CMBF-420A/520A/600A

Paper Bag Bottom Folding Machine

纸袋拉底机



工艺流程图 Process Flowchart



进入底部粘合工序
or choice go on with bottom gluing process
CMBF-600AC/1000RS



机器说明 Machine Description

拉底机是纸袋成型的关键设备，专用于纸袋底部的精准拉伸定位与初步定型，为后续糊底/封底工序提供预制结构。

The bottom-pulling machine is a key equipment for paper bag forming. It is dedicated to the precise stretching, positioning and preliminary shaping of the bottom of the paper bag, providing a prefabricated structure for the subsequent bottom gluing/sealing process.



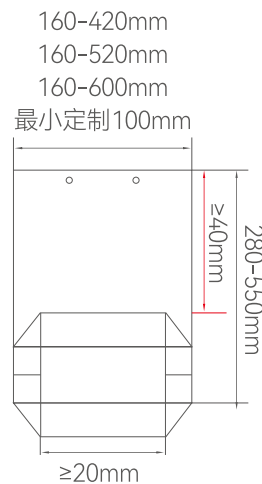
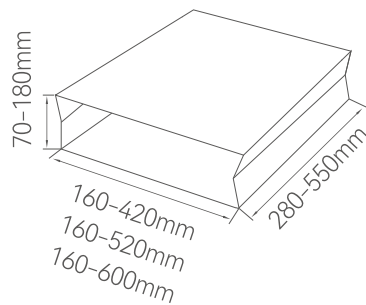
机器特点 Machine Features

1. 全新人性化设计和编程，确保您稳定生产，快速更换尺寸，让您对投资充满信心。
2. 生产力高，调整方便，适用范围广。适用于小型、中型和大型生产。
3. 一键启动底部开启功能，记录历史参数，逻辑计算并设置仅支持三种包装袋尺寸的机器。
4. 高级流线型单张送纸输送设计，稳定高效，产能灵活。
5. 适用于多种厚度和尺寸的纸张，省时高效，调试简单，性能稳定，价格实惠，性价比高。

1. Fresh operator friendly design and programming, ensure you run production stably, fast in size changing, and confident in investing in your business.
2. It is widely applicable due to high productivity and easy adjustment. It can be applied to the production of small, medium and large.
3. One button clicking to make ready of the bottom opening function, records the history parameters, logically calculating and set the machine with 3 of the bag sizes only.
4. High-level streamlined sheet paper feeding and conveying design, stable and efficient, with flexible production capacity.
5. Applicable to a variety of thicknesses and dimensions of paper, saving time and efficiency, with simple commissioning and stable performance, and affordable and cost-effective performance.



参数示意图 Sheet Paper Data





主要技术参数 TechnicalData

纸筒尺寸 Paper Bag Tube Size		
纸筒宽度	Paper Bag Tube Width	160-420/520/600mm CMBF-420A able to customized min 100mm
纸筒长度	Paper Bag Tube Length	280-550mm
风琴尺寸	Paper Bag Gusset	70-180mm
适用纸张原材料和耗材 Suitable Paper Material & Glue & Handle		
牛皮纸	Kraft Paper	120-350gsm
铜版纸/覆膜纸	Coat Paper / Laminated	128-250gsm
白卡纸	White Board Paper	157-300gsm
灰板纸	Grey Board Paper	128-300gsm
运行 Running		
速度	Speed	0-70 pcs/min
电压	Voltage	380V/220V 50/60HZ 3 phase
生产功率	Production Power	3.5-4.0KW
机器尺寸和重量 Machine Size & Weight		
机器	Size	3.5 × 1.65 × 1.9M
重量	Weight	4000kg
安装要求 Installation		
装机总功率	Total Power Supply	6.5KW



设备占地规划 Machine Floor Plan





核心配件 Core Accessories



SynMatic

运动控制系统
伺服电机/伺服驱动/变频器
SIMOTION
Servo motor/servo drive/frequency converter

安驰 中国
SynMatic China



SynMatic

总线控制
BUS CONTROL

安驰 中国
SynMatic China



FOTEK

编码器/接近开关
热过载继电器接触器
ENCODER/PROXIMITY SWITCH
Thermal overload relay contactor

阳明 台湾
FOTEK Taiwan



KEYENCE

主光电眼/光纤
MAIN OPTICAL EYE/FIBER

基恩士 日本
Keyence Japan



繁易
FLEXEM

触摸屏
TOUCH SCREEN

繁易 中国
FLEXEM China



亞德客
AirTAC

电磁阀
SOLENOID VALVE

亚德客 台湾
AirTAC Taiwan



CPG

减速机马达
REDUCER MOTOR

晟邦 台湾
Shengbang CPG Taiwan



SIEMENS

主马达
MAIN MOTOR

茵梦达 德国
Innomotics Germany



ORION

真空泵
VACUUM PUMP

好利旺 日本
ORION Japan