

**A0**  
Version

**CHAMPION**  
MACHINERY

MACHINERY MANUFACTURER OF **LUXURY PAPER BAGS**  
CHAMPION MACHINERY MANUFACTURING CO.,LTD.



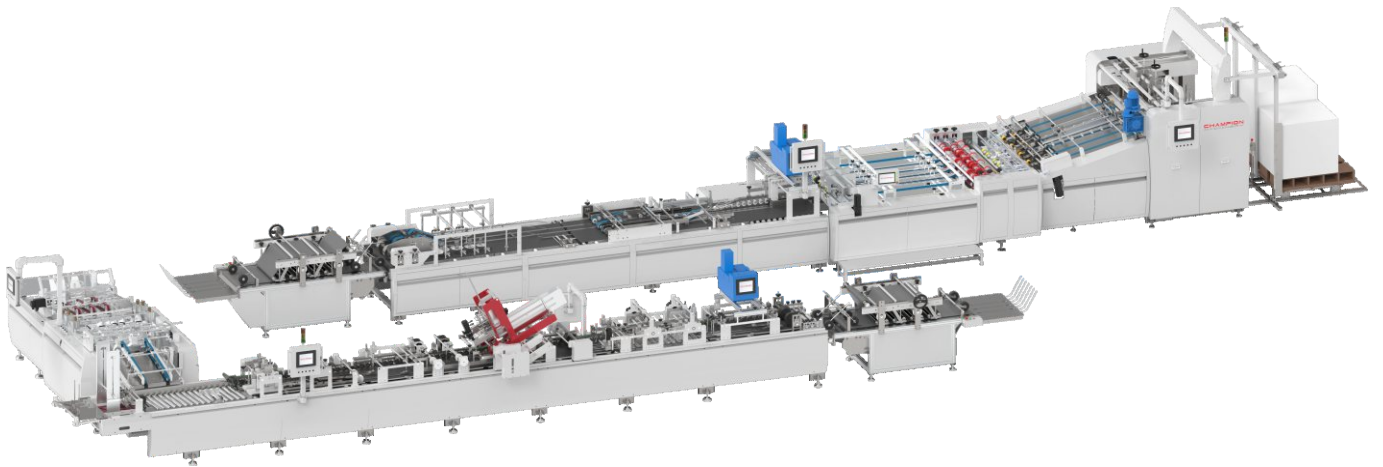
Tel: +86 139 2586 8276  
WhatsApp: +86 139 2586 8276



E-mail: [Bel@championbagmaker.com](mailto:Bel@championbagmaker.com)  
Website: [www.paper-bag-machine.com](http://www.paper-bag-machine.com)



Add: 42#2and Longyan Industrial Avenue, Humen Town  
Dongguan City, China PR



## **CM2SP-1400TF/1600TF** **CMBF-520A / 600A + CMBS-1000RS**

Double Sheets Pasting Paper Bag Machine  
With Auto Bottom Cardboard Production Line A + B

双拼纸袋自动底卡生产线组合 A + B

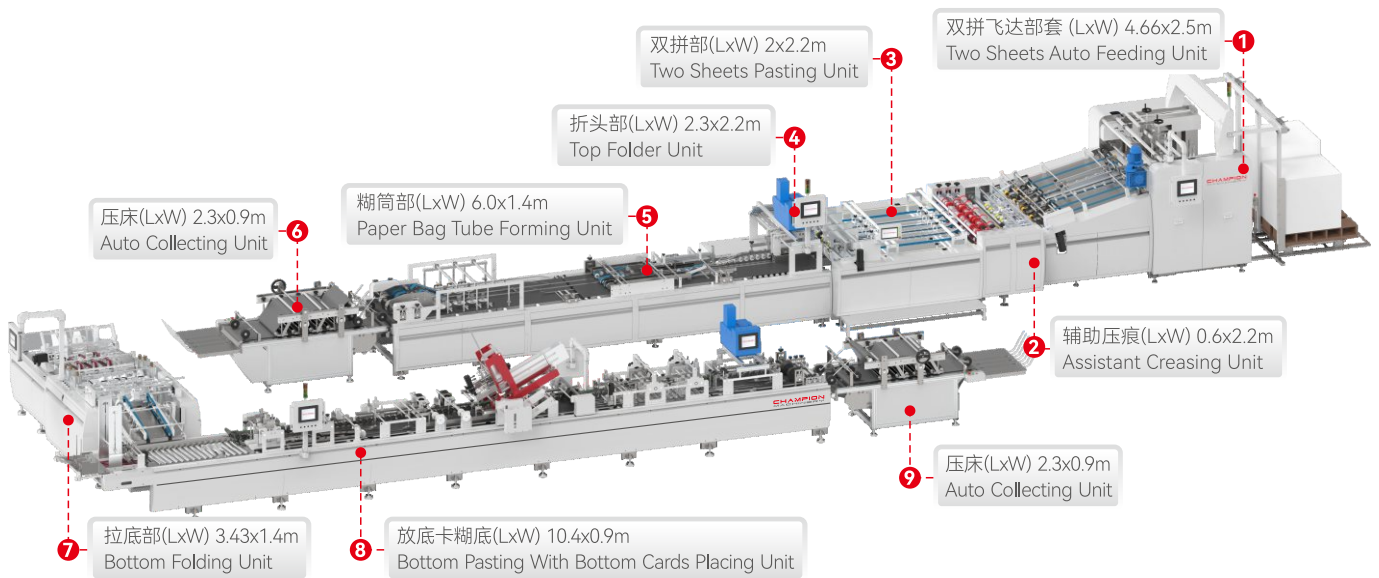
## 目录

### Contents

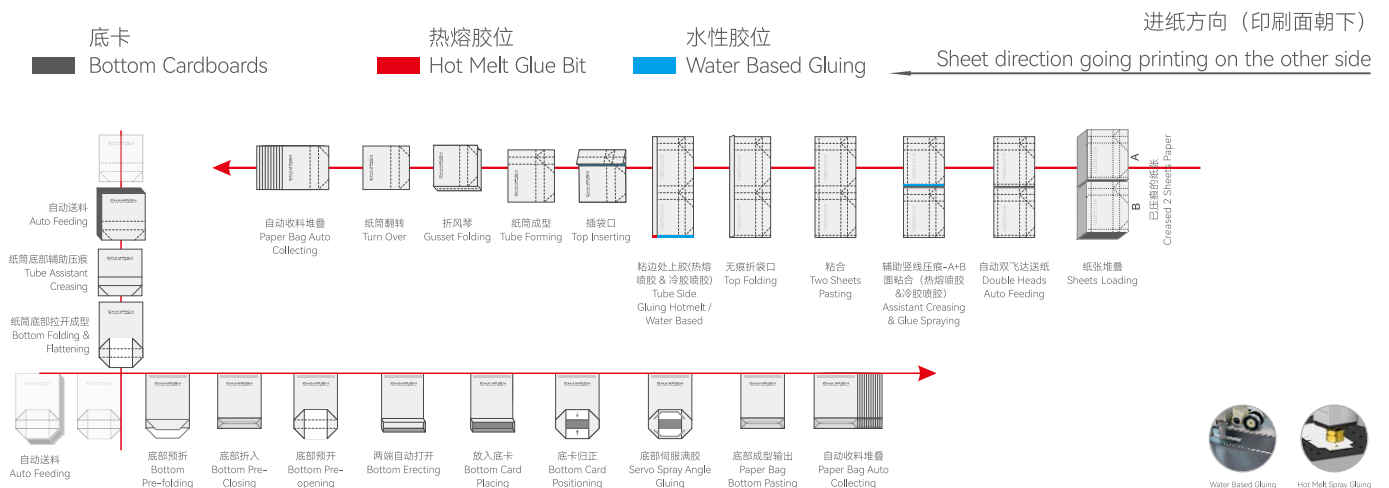
机器名称图片 Machine Name Image	3
工艺流程图 Process Flowchart	3
机器说明 Machine Description	4
机器特点 Machine Features	4
参数示意图 Sheet Paper Data	5
主要技术参数 Technical Data	6
设备占地规划 Machine Floor Plan	6
核心配件 Core Accessories	7

# CM2SP-1400TF/1600TF CMBF-520A / 600A + CMBS-1000RS

Double Sheets Pasting Paper Bag Machine  
With Auto Bottom Cardboard Production Line A + B  
双拼纸袋自动底卡生产线组合 A + B



## 工艺流程图 Process Flowchart





## 机器说明 Machine Description

该设备采用A+B两条半自动模组线组合的自动双拼纸袋机，是一款集灵活、高效与高度自动化于一体的纸袋生产设备，专为满足双拼纸袋各种工艺生产需求而设计。该设备凭借其广泛的应用领域，如奢侈品、服装、礼品及购物纸袋等，展现了强大的市场适应性。

通过采用双拼成型技术，高速、高精度生产工艺以及智能化控制系统，实现降低成本、提升效率和优化质量。其模块化设计理念使得设备能够灵活应对不同生产需求，同时环保特性也符合当前绿色生产的趋势，成为传统纸袋生产设备升级换代的首选方案。

This automatic double-stitch paper bag machine, combining two semi-automatic modular lines (A+B), combines flexibility, efficiency, and a high degree of automation. Designed to meet the diverse production requirements of double-stitch paper bags, this machine demonstrates strong market adaptability through its wide range of applications, including luxury goods, apparel, gifts, and shopping paper bags.

By utilizing double-stitch forming technology, high-speed, high-precision production processes, and an intelligent control system, the machine reduces costs, improves efficiency, and optimizes quality. Its modular design allows for flexible adaptation to diverse production needs. Its environmentally friendly features align with current trends in green production, making it a leading upgrade option for traditional paper bag production equipment.

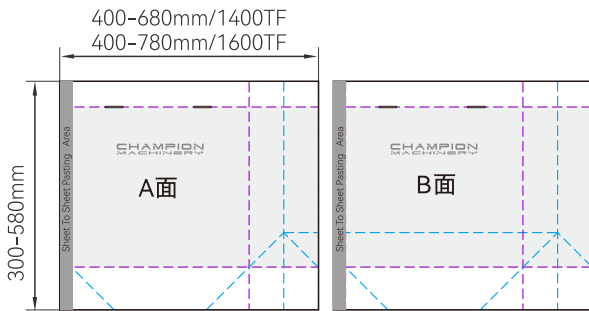
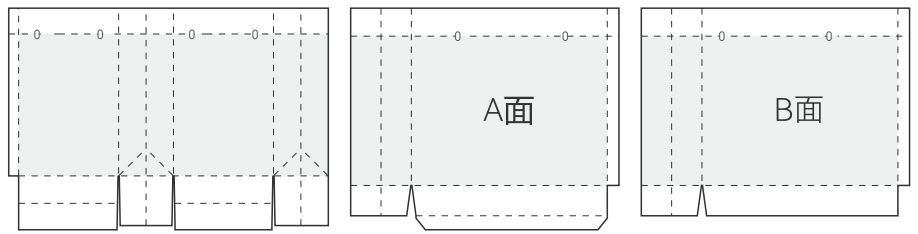
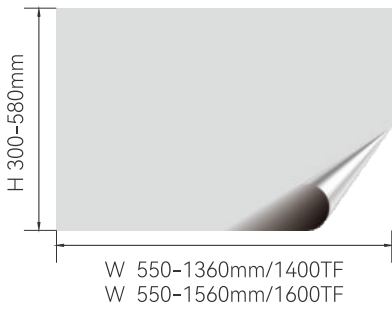


## 机器特点 Machine Features

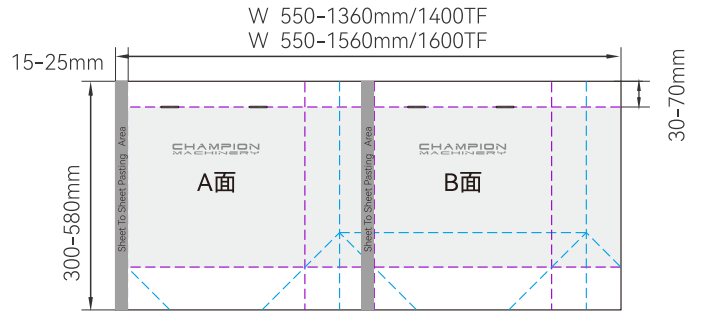
1. 灵活的设计，确保您在一条生产线上进行单张或双张糊盒生产，也可以分线或整线生产。
  2. 高精度、高产量、对操作员经验要求低、损耗低是冠军机械设备众所周知的特点。
  3. 高产能、易于调整，适用范围广泛。它适用于小、中、大批量或定制化的双张纸袋生产，适用于生产对工艺、精度、外观和质量要求高的高档双张纸袋，以及结构复杂的双张/单张纸袋；也适用于普通单张纸袋和双张纸袋的批量生产；
  4. 它也适用于普通单张纸袋和双张纸袋的批量生产；
  5. 机器一些耗时的设定已采用电脑控制，尺寸切换时间大大缩短，伺服电机参与生产动作，使机器运行快速精准。因此，机器设定更加简单。
  6. 全新人性化设计和编程，确保您稳定运行生产，快速切换尺寸，让您对投资充满信心。
1. Flexible design ensures you running either single-sheet or 2-sheet-pasting production in 1 machine line, with separations of the line or in full line.
  2. High precision, high production, Low requirement in operators' experience and low wastage, are well-known features of machines from Champion Machinery.
  3. It is widely applicable due to high productivity and easy adjustment. It can be applied to the production of small, medium and large or customized two-sheet paper bags in small, medium or large quantities, and to production of high-level two-sheet paper bags with high requirements for technology, precision, appearance and quality, and two-sheet / sheet-feeding paper bags with complex structures; and can also be applied to the mass production of ordinary sheet-feeding and two-sheet paper bags;
  4. It can also be applied to the mass production of ordinary sheet-feeding and two-sheet paper bags;
  5. Some time consuming setting of the machines are designed with computerized control, and size changing time is greatly decreased, and servo motors join in production motions, also makes machines perform fast and accurately. Setting of the machine thus is much easier.
  6. Fresh operator friendly design and programming, ensure you run production stably, fast in size changing, and confident in investing in your business.



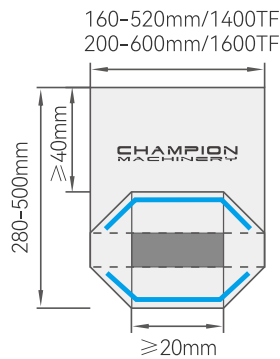
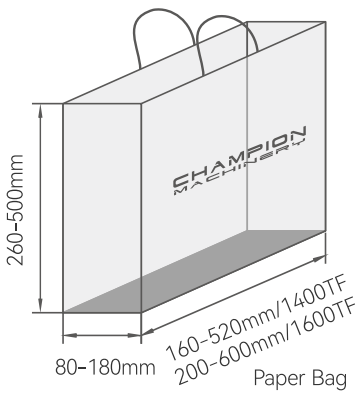
参数示意图 Sheet Paper Data



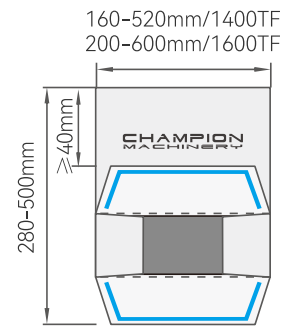
Before Pasting



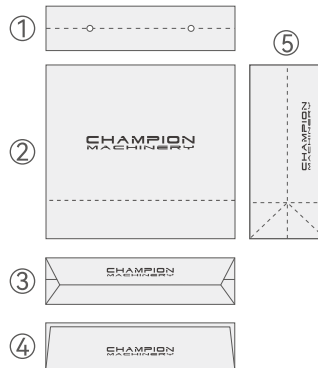
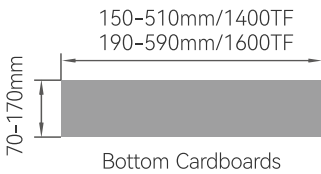
After Pasting



Type Bag Bottom (1)



Type Bag Bottom (2)



- 1、纸板高于折叠线的位置  
Position above top folding line
- 2、纸袋  
Paper bag body
- 3、纸袋底型 (1)  
Paper bag bottom type
- 4、纸袋底型 (2)  
Paper bag bottom type
- 5、纸袋风琴  
Paper bag gusset

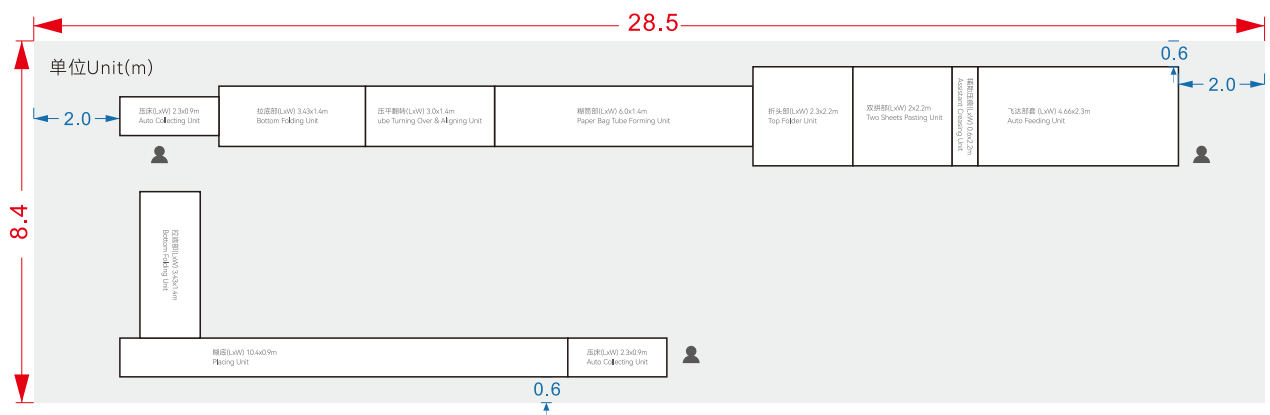


## 主要技术参数 TechnicalData

纸张尺寸 Sheet Paper Size		
W进纸宽度范围	Sheet Paper Width	550-1360mm/1400TF 550-1560mm/1600TF
H进纸长度范围	Sheet Paper Length	300-580mm
双拼纸尺寸 Two Sheet Paper Size		
W1进纸宽度范围	Before Pasting Sheet Paper Width 1	400-680mm/1400TF 400-780mm/1600TF
W2进纸宽度范围	Before Pasting Sheet Paper Width 2	400-680mm/1400TF 400-780mm/1600TF
W进纸宽度范围	After Pasted W1+w2 Sheet Paper Width	550-1360mm/1400TF 550-1560mm/1600TF
H进纸长度范围	Sheet Paper Length	300-580mm
纸筒尺寸 Paper Bag Tube Size		
折袋口尺寸	Paper Bag Top Folder Depth	30-70mm
纸筒宽度	Paper Bag Tube Width	160-520mm/1400TF 200-600mm/1600TF
纸筒长度	Paper Bag Tube Length	280-550mm
风琴尺寸	Paper Bag Gusset	80-180mm
粘位尺寸	Sheet Paper Glue Side	15-25mm
适用纸张原材料和耗材 Suitable Paper Material & Glue & Handle		
牛皮纸	Kraft Paper	120-350gsm
铜版纸/覆膜纸	Coat Paper / Laminated	157-250gsm
白卡纸	White Board Paper	157-300gsm
灰板纸	Grey Board Paper	157-300gsm
胶水	Glue	标配热熔选配胶水溶性冷胶 Hot melt glue option water base glue
手提绳	Handle	纸手腕圆/扁, 贴丝带, 打头手提绳子/丝带 其他 Flat paper handle, twisted paper handle, tipping with rope or ribbon handle, Ribbon handles with top cardboard pasting glue fix of luxury paper bag
底卡 Bottom Cardboards		自动 Auto
底卡宽度	Bottom Cardboards Width	70-170mm
底卡长度	Bottom Cardboards Length	150-510mm/1400TF 190-590mm/1600TF
底卡克重	Bottom Cardboards Thickness	200-500gsm
运行 Running		
速度	Speed	0-60 pcs/min
安装要求 Installation		
装机总功率	Total Power Supply	39KW
压缩空气	Compressed Air / Capacity	6bar
储气罐能量	Air Tank Capacity	15m³/h



## 设备占地规划 Machine Floor Plan





核心配件 Core Accessories



**SynMatic**

运动控制系统  
伺服电机/伺服驱动/变频器  
SIMOTION  
Servo motor/servo drive/frequency converter

安驰 中国  
SynMatic China



**SynMatic**

总线控制  
BUS CONTROL

安驰 中国  
SynMatic China



**FOTEK**

编码器/接近开关  
热过载继电器接触器  
ENCODER/PROXIMITY SWITCH  
Thermal overload relay contactor

阳明 台湾  
FOTEK Taiwan



**KEYENCE**

主光电眼/光纤  
MAIN OPTICAL EYE/FIBER

基恩士 日本  
Keyence Japan



**繁易**  
FLEXEM

触摸屏  
TOUCH SCREEN

繁易 中国  
FLEXEM China



**亞德客**  
AirTAC

电磁阀  
SOLENOID VALVE

亚德客 台湾  
AirTAC Taiwan



**CPG**

减速机马达  
REDUCER MOTOR

晟邦 台湾  
Shengbang CPG Taiwan



**SIEMENS**

主马达  
MAIN MOTOR

茵梦达 德国  
Innomotics Germany



**ORION**

真空泵  
VACUUM PUMP

好利旺 日本  
ORION Japan