

A0
Version

CHAMPION
MACHINERY

MACHINERY MANUFACTURER OF **LUXURY PAPER BAGS**
CHAMPION MACHINERY MANUFACTURING CO.,LTD.



Tel: +86 139 2586 8276
WhatsApp: +86 139 2586 8276



E-mail: Bel@championbagmaker.com
Website: www.paper-bag-machine.com



Add: 42#2and Longyan Industrial Avenue, Humen Town
Dongguan City, China PR



CMFB-220

Square Bottom Roll-fed Paper Bag Machine (Without Handle)

方底卷筒纸袋机（不带提手）



4 Colors Flexo Printing Machine Inline

4色柔版印刷机

目录

Contents

机器名称图片 Machine Name Image	3
机器说明 Machine Description	3
适用范围 Bag Suitable	4
工艺流程图 Process Flowchart	4
参数示意图 Sheet Paper Data	4
主要技术参数 Technical Data	4
主要材料 Main Materials	5
设备占地规划 Machine Floor Plan	6
4色柔版印刷机 4 Colors Flexo Printing Machine Inline	7
机器说明 Machine Description	7
机器结构 Machine Structure	8
机器特点 Main Feature	8
主要配件 Main Accessories	8
主要技术参数 Technical Data	8

CMFB-220

Square Bottom Roll-fed Paper Bag Machine (Without Handle)

方底卷筒纸袋机（不带提手）



机器说明 Machine Description

该机器专为生产无手柄方底纸袋而设计，以卷筒纸为原料，是快速生产各种尺寸纸袋的理想设备。该机器通过实现送纸、成型、切管和底部成型等工序的在线化，有效节省人工成本。配备的光电检测器可校正切割长度，确保切割精度。该机器可处理非常薄的纸张，并且生产速度非常快，因此特别适合食品行业应用。

This machine is designed to manufacture square bottom paper bags without handles from paper roll, and it is an ideal equipment for producing producing various sized paper bags fast. By implementing steps including paper feeding, tube forming, tube cutting and bottom forming inline, this machine can effectively save labor costs. The equipped photoelectric detector can correct cutting length, so as to ensure cutting precision. This machine can process very thin paper, as well as produce paper bags very fast, thus this machine is especially suitable for being applied in food industries.



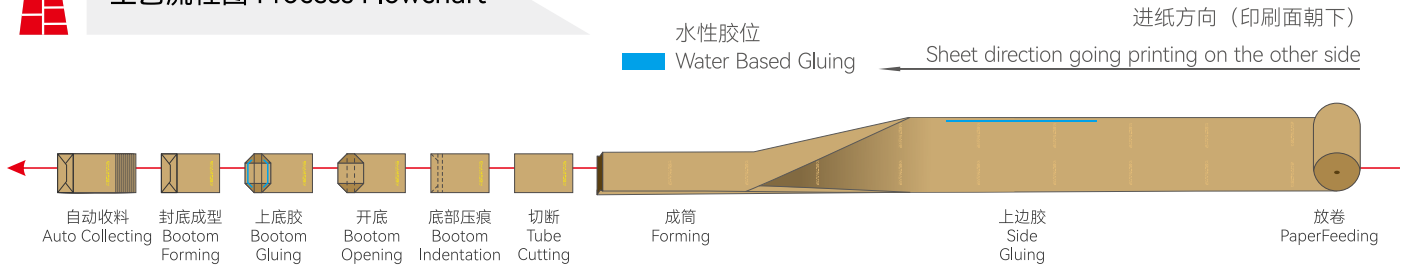
适用范围 Bag Suitable

- 1、食品袋：休闲食品袋、烘焙袋、坚果油炸袋、辅食袋、水果袋、母婴用品袋等。
- 2、礼品袋：糖果、茶酒等。
- 3、外带袋：咖啡、茶包

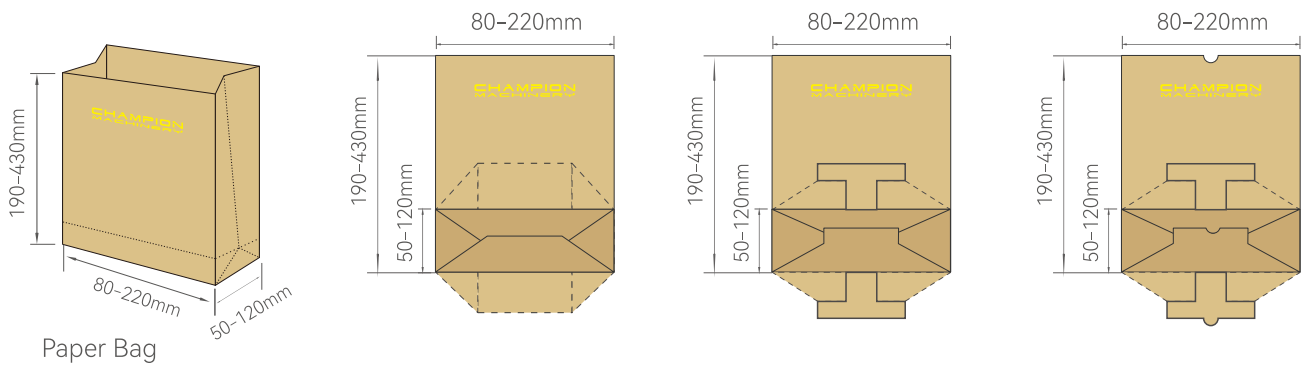
- 1、Food bag: leisure food bag,baking bag,nuts fried bag,subsidiary food bag,fruit bag,baby products bag,etc.
- 2、Gift bag: candy ,tea wine etc.
- 3、Take away bag: coffee,tea bag



工艺流程图 Process Flowchart



参数示意图 Sheet Paper Data



主要技术参数 TechnicalData

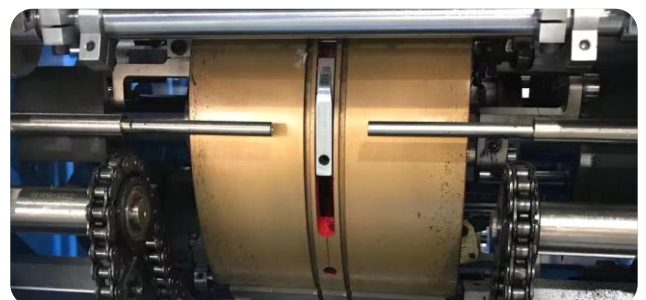
纸袋部分 Paper bag part		
切袋长度	Paper bag length(Cutting length)	190-430mm
纸袋宽度	Paper bag width	80-220mm
纸袋底部宽度	Paper bag bottom width	50-120mm
纸张厚度	Paper thickness	45-150g/m ²
纸卷宽度	Paper roll width	280-710mm
卷纸直径	Roll paper diameter	1300mm
运行速度 Running speed		
机器最大速度	Machine MAX Speed	280pcs/min
纸袋速度	Paper bag speed	180-220pcs/min
规格 Specification		
功率	Machine Power	380V 3 Phase 4 line 15kw
机器重量	Machine weight	5600kg
机器尺寸	Machine Dimensions	8600 × 2600 × 1900mm



主要材料 Main Materials

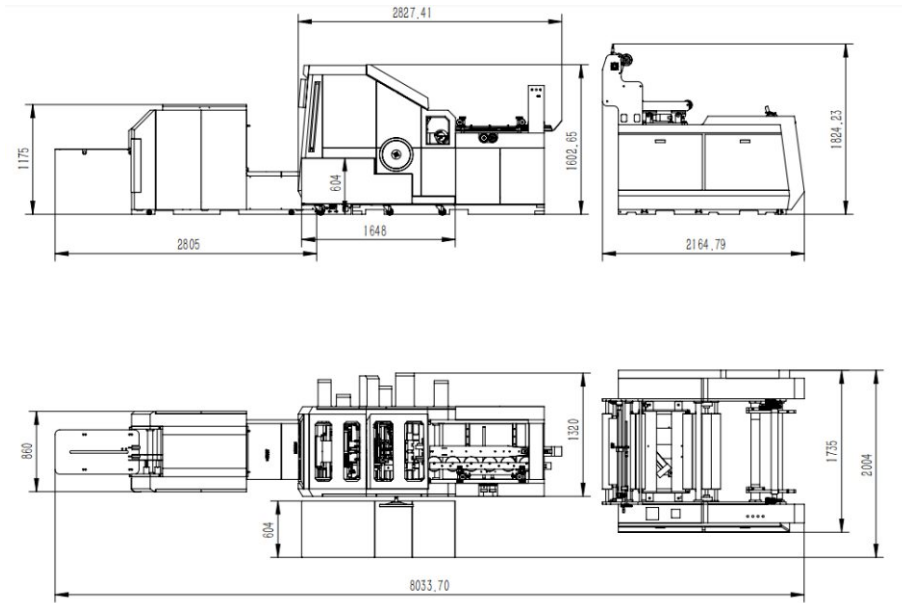
主要材料 Main Materials		
主墙板材质	Main wallboard material	nodular cast iron Qt400
齿轮材质	Gear material	38CrMnAl
轴材质	Shaft material	45#、40Cr
其他材质	Other materials	ZG270-500, G12MOV
轴电镀层厚度	The thickness of the shaft plating layer	280-710mm
齿轮表面硬度	The surface hardness of the gear	45-50HRC
紧固螺钉材质	Fastening screw materials	45# steel grade 12
输送带材质	Conveyor belt material	Switzerland Habasit

电子配件 Eletric Configuration		
运动控制器	Motion Controller	YASKAWA JAPAN 1 SET
全彩触摸屏	Ethernet full-color touch screen	(FLEXEM) 1SET
伺服驱动器	Servo Drive	YASKAWA JAPAN 5 SET
输入输出 PNP	Input and output PNP	YASKAWA JAPAN 1 SET
电源及反馈电缆	Power and feedback cable	YASKAWA JAPAN 1 SET
断路器	Circuit breaker	SHNEIDER FRANCE
接触器	Contactur	SHNEIDER FRANCE
继电器	Relay	SHNEIDER FRANCE





设备占地规划 Machine Floor Plan



4 Colors Flexo Printing Machine Inline 4色柔版印刷机



机器说明 Machine Description

控制部分

1. 主电机变频调速，功率：
2. 减速电机独立控制

印刷部分

1. 气动升降印版滚筒，停机时自动升降印版滚筒，停机后自动供墨。开机时，报警启动自动升降印版滚筒。
2. 采用陶瓷网纹刮刀供墨，墨泵循环供墨
3. 高精度行星齿轮箱，360°循环纵向套准
4. 横向套准±20mm
5. 手动调节墨量和印刷压力

干燥部分

1. 采用外置加热管，温度显示，电流控制，离心风机送风

CONTROL PART

1. Main motor frequency control, power:
2. Reduce motor separate

PRINTING PART

1. Pneumatic lifting and lowering printing plate cylinders auto lifting plate cylinder when the machine is stopped. After that can run ink automatically. When the machine is opening, it will make alarm to start the auto lowering plate printing cylinder.
2. Inking with ceramic anilox chambered doctor blade ,ink pump circulation
3. High precision planetary gear oven 360°circulation longitudinal register
4. ±20mm transverse register
5. Adjust inking press and printing pressure press by manual

DRYING PART

1. Adopt with external heating pipe, temperature display, electric current control, centrifugal blower bring the wind



机器结构 Machine Structure

1. 本机采用同步带传动和硬齿面齿轮箱。齿轮箱采用同步带传动，各印刷组采用高精度行星齿轮箱（360度调节），齿轮传动，带动压印滚筒。
2. 印刷后，较长的运行物料空间，使油墨干燥更顺畅，效果更佳。

1. The machine adopt with synchronous belt drive and hard gear face gear box. The gear box adopt with synchronous belt drive each printing group high precision planetary gear oven(360° adjust the plate) gear driving the press printing roller
2. After printing, long running material space ,it can make the ink drying easily, better results



机器特点 Main Feature

1. 采用威龙触摸屏人机界面，操作功能一目了然，操控便捷。
2. 采用日本原装三菱运动控制器，通过与光纤的集成，运行稳定。
3. 采用日本三菱伺服电机配合德国希克色标眼纠偏，精准跟踪印刷袋尺寸。
4. 原料上下料采用液动态升降结构，放卷采用自动恒张力控制。
5. 原料纠偏采用无刷伺服电机，减少纸卷对位调整时间。

1. Using Willon touch screen man-machine interface, the operation function is clear at a glance, easy to control
2. Adopt the Japanese original Mitsubishi motion controller, through the integration with the optical fiber, operation stability
3. Japanese Mitsubishi servo motor with German Schick color standard eye correction, accurate tracking printing bag size
4. The raw material loading and unloading adopts hydraulic dynamic lifting structure, and the unwinding adopts automatic constant tension control.
5. The raw material correction adopts brushless servo motor to reduce the adjustment time of paper roll alignment.



主要配件 Main Accessories

主电机 4KW	Main motor 4KW	CHINA
变频器 4KW	Inverter 4KW	Inovance
输墨减速机 40W	Inking reducer 40W	CHINA
所有低压控制开关	All of the low voltage control switch	Schneider
主轴承	Main bearing	taiwan
滚筒轴承	Roller bearing	CHINA



主要技术参数 TechnicalData

最大材料宽度	Max. Printing material width	1000mm
最大印刷宽度	Max. Printing width	960mm
印刷长度范围	Printing length range	230-800mm
印刷速度	Printing speed	5-100m / min
套准精度	Register precision	≤±0.20mm
纸张克重	Suitable Paper gsm	40-150gsm
适用纸张类型	Suitable Paper type	White kraft paper, Brown kraft paper..... etc.