

A0
Version

CHAMPION
MACHINERY

MACHINERY MANUFACTURER OF **LUXURY PAPER BAGS**
CHAMPION MACHINERY MANUFACTURING CO.,LTD.



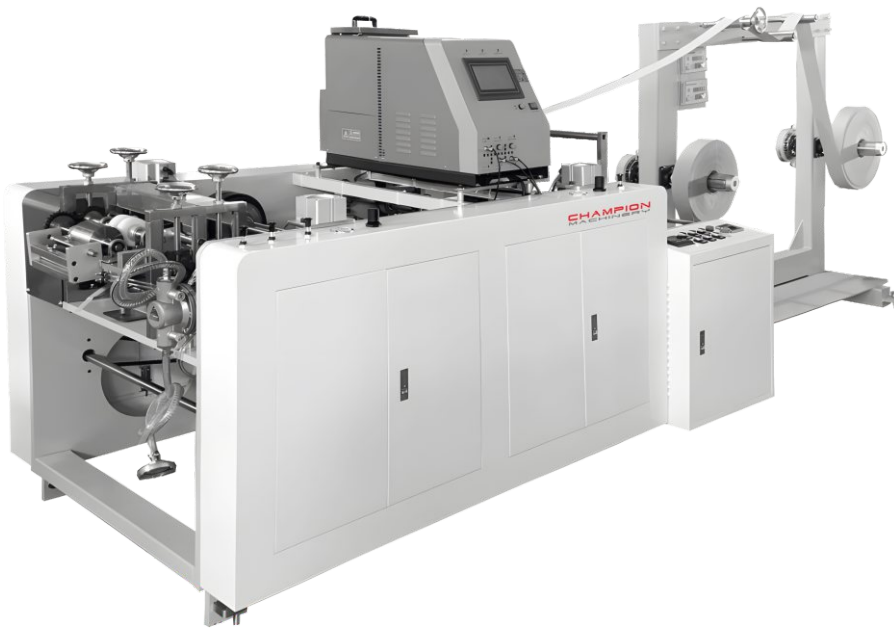
Tel: +86 139 2586 8276
WhatsApp: +86 139 2586 8276



E-mail: Bel@championbagmaker.com
Website: www.paper-bag-machine.com



Add: 42#2and Longyan Industrial Avenue, Humen Town
Dongguan City, China PR



CMHM-100

Paper Bag Twisted Paper Handle Making Machine

纸袋圆绳纸手腕机

目录

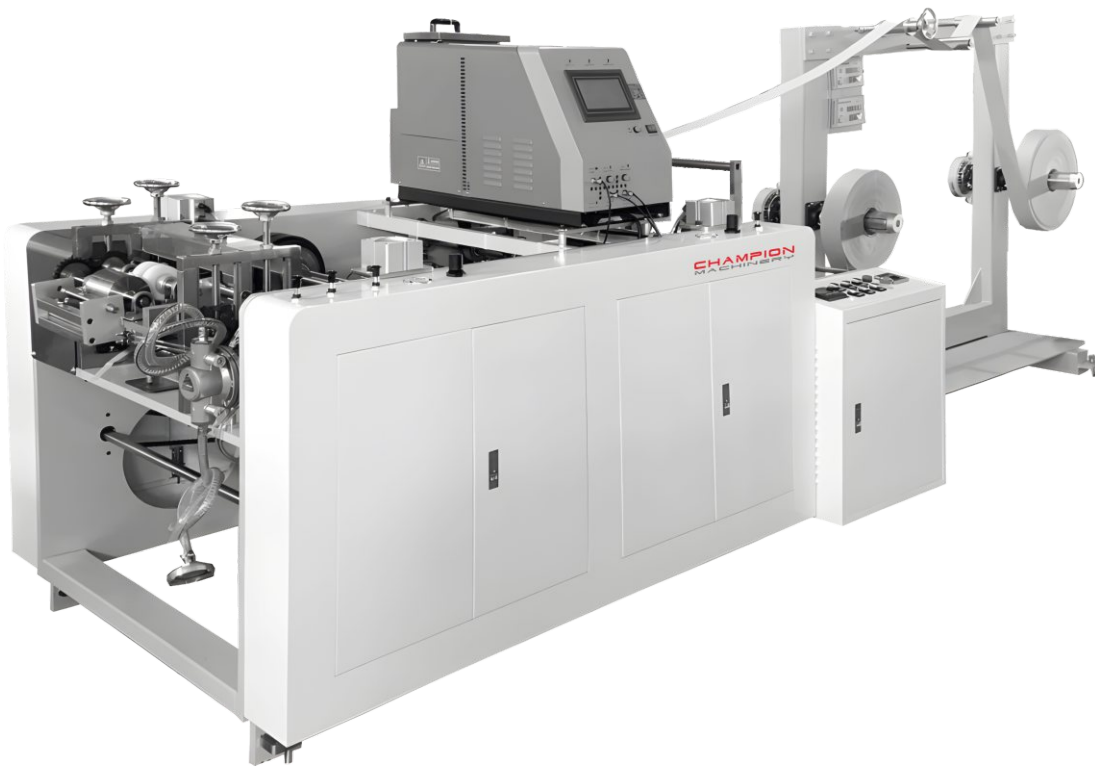
Contents

机器名称图片 Machine Name Image	3
产品尺寸 Products Size	3
机器说明 Machine Description	4
机器特点 Machine Features	4
主要技术参数 Technical Data	4
品质描述 Quality Description	5
设备占地规划 Machine Floor Plan	6

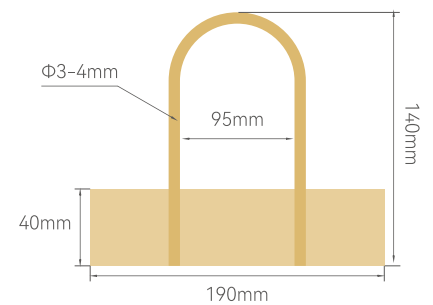
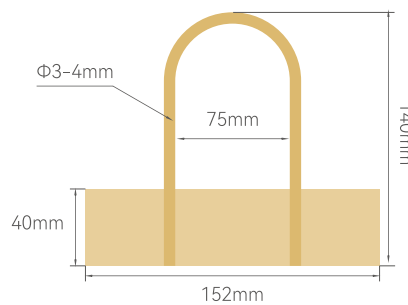
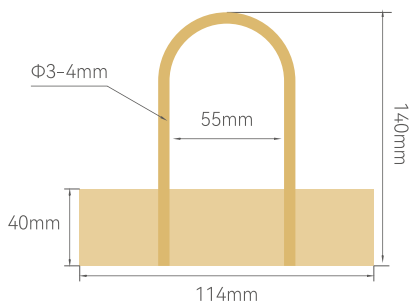
CMHM-100

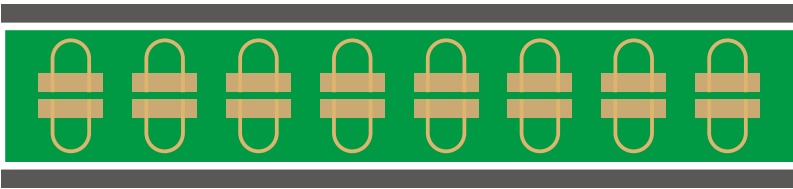
Paper Bag Twisted Paper Handle Making Machine

纸袋圆绳纸手腕机



产品尺寸 Products Size





Option: 6m/10m Belt



機器說明 Machine Description

本机是为与纸袋机配套使用而设计的，可快速生产出扭曲的纸绳手柄。将提手粘贴在纸袋内侧后，制成带提手的纸袋。以2卷窄牛皮纸和1卷捻纸绳为原料，经过切纸和粘绳后成型为手柄。该机还可自动计数和涂胶，可高效生产提手，是纸袋机的理想配套机。

This machine was designed to work with paper bag machines, can produce twisted paper rope handle in fast speed. After pasting the handles on paper bags inner sides to make paper bags with handles. With 2 reels of narrow kraft paper and 1 reel of twisted paper rope as material, through paper cutting and rope sticking and then forming to handles. Also the machine can count and gluing automatically, can produce handles with high efficiency, it's an ideal matching machine for paper bag machines.



主要特點 Main Features

- 1、该机器操作简单，运行平稳，速度快，每小时可生产10000副手柄。
- 2、本机生产的成品纸袋数据可靠，可承受15KG的重物，可调节多种尺寸的纸袋，还可生产各种纸袋提手。
- 3、该机器可以组装自动涂胶部件，可以代替手工涂胶处理，从而节省了人力成本和涂胶成本，也加快了生产速度，从而支持大批量订单的完成。
- 4、凭借全球众多售后服务中心的进口热熔胶机，客户将获得快速的技术支持。

- 1、 This machine is easy to operate, steady in running, fast in speed, can produce 10000 pairs of handle per hour.
- 2、 The finished paper bags produced by this machine have reliable data, can bear weights of 15KG, can adjust paper bags of various sizes, and can also produce various paper bag handles.
- 3、 The machines can assemble auto gluing part, which can replace manual gluing processing, hence saving labor cost and glue cost, also speed up the production, thus support finish of big quantity order.
- 4、 With the imported hot-melt glue machine which with many after-sales service center global, customer will get fast technical support.



主要技术参数 TechnicalData

纸卷内径	Paper reel Core Diameter	φ76mm(3")
最大纸卷外径	Max.Paper reel Diameter	φ1000mm
生产速度	Production Speed	10000pairs/hour
输入电源	Power Requirements	380V, 50HZ, 3Phases, 4wires
机器功率	Total Power	7.8KW
机器重量	Total Weight	Approx. 1500kg
外形尺寸	Overall Dimension	L4000mm × W1300mm × H1500mm
纸片长度	Paper Length	114mm/152mm/190mm(Optional)
纸绳间距	Paper Rope Handle Spacing	55mm/75mm/95mm(Optional)
纸片宽度	Paper Width	40mm
纸绳高度	Paper Rope Height	100mm
纸绳直径	Paper reel Diameter	φ3.0mm-4mm(Optional)
粘接剂	Glue Type	热熔胶Hot-melt glue



品质描述 Quality Description

1. 2个放卷单元
2 Unwinding Unit



2. 高品质热熔胶系统，降低熔胶成本，
减少次品。
High-quality Hot Melt System Can
Reduce The Melt Cost And Defective



3. 中国制造顶级热熔胶系统，经久耐用。
Top Brand Hot Melt System Made In
China, Durable And Long Service Life



4. 手柄制作单元
Handle Making Unit





设备占地规划 Machine Floor Plan

